

357-2330-95

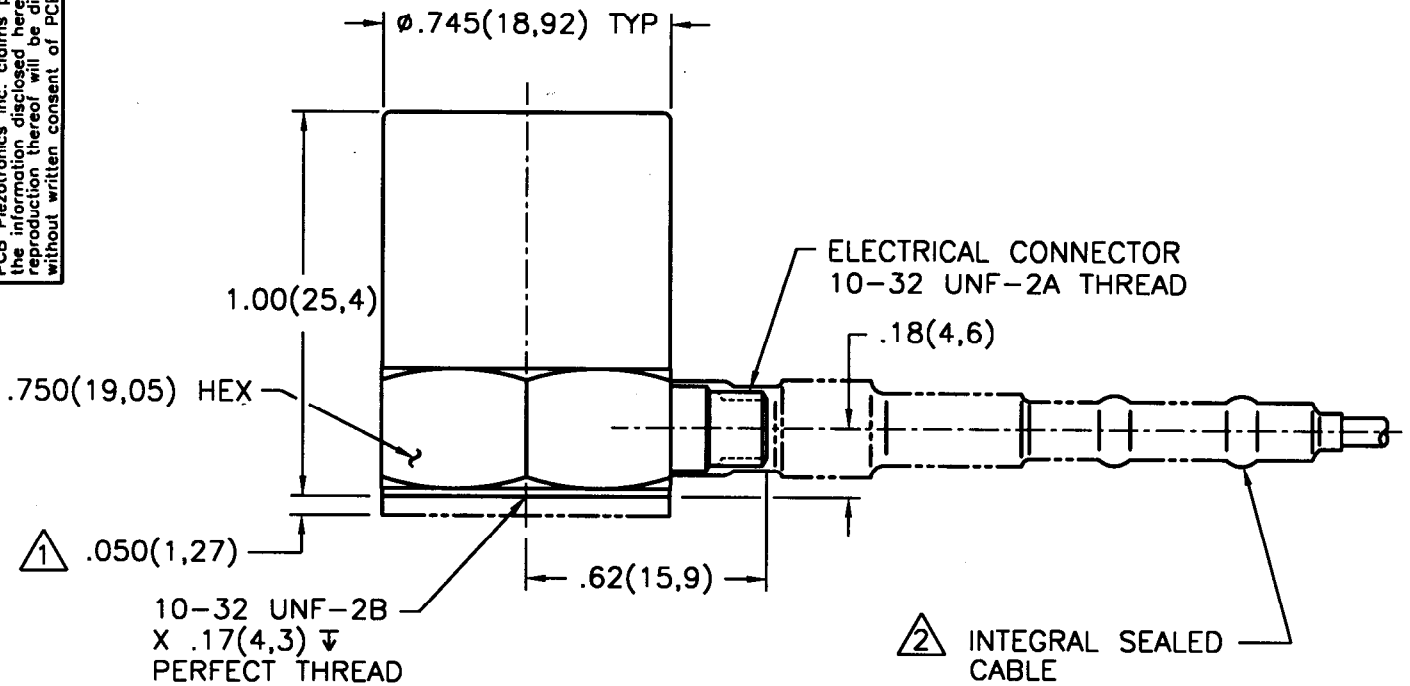
PCB Piezotronics Inc. claims proprietary rights in the information disclosed hereon. Neither it nor any reproduction thereof will be disclosed to others without written consent of PCB Piezotronics Inc.

APPLICATION

NEXT ASS'Y	USED ON	VAR

REVISIONS

REV	DESCRIPTION	ECN	DATE	APP'D
B	DESIGN UPDATE	9846	12/4/98	DM12/98



- ② ADD CABLE FOR SENSOR WITH WATER RESISTANT OPTION.
- ① ADD DIMENSION FOR SENSOR WITH GROUND ISOLATED OPTION.

UNLESS SPECIFIED TOLERANCES

DIMENSIONS IN INCHES	DIMENSIONS IN MILLIMETERS (IN PARENTHESIS)
DECIMALS XX ±.01	DECIMALS XX ±0.3
XXX ±.005	XXX ±0.13
ANGLES ±2 DEGREES	ANGLES ±2 DEGREES

FILLETS AND RADII .003 - .005	FILLETS AND RADII (0.07 - 0.13)
-------------------------------	---------------------------------

DRAWN	DRM	12/7/98	MFG	ADA	12-8-98
CHK'D	DM	12/7/98	ENGR	070EC	12/98
APP'D	DM	12/9/98	SALES	SL	12/7/98

PCB PIEZOTRONICS™
 3425 WALDEN AVE. DEPEW, NY 14043
 (716) 684-0001 EMAIL: SALES@PCB.COM

TITLE
 OUTLINE DRAWING
 MODEL 357B33 SERIES
 ACCELEROMETER

CODE IDENT. NO. 52681
 DWG. NO. 357-2330-95

DD011 REV. B 03/13/98

SCALE: 2 X SHEET 1 OF 1