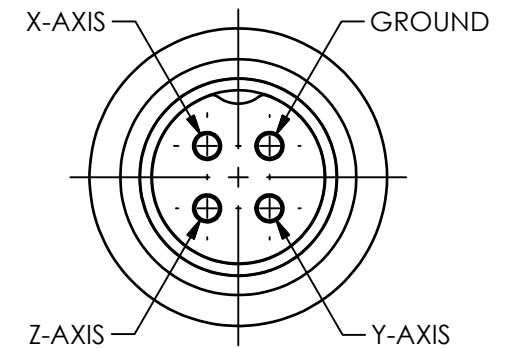
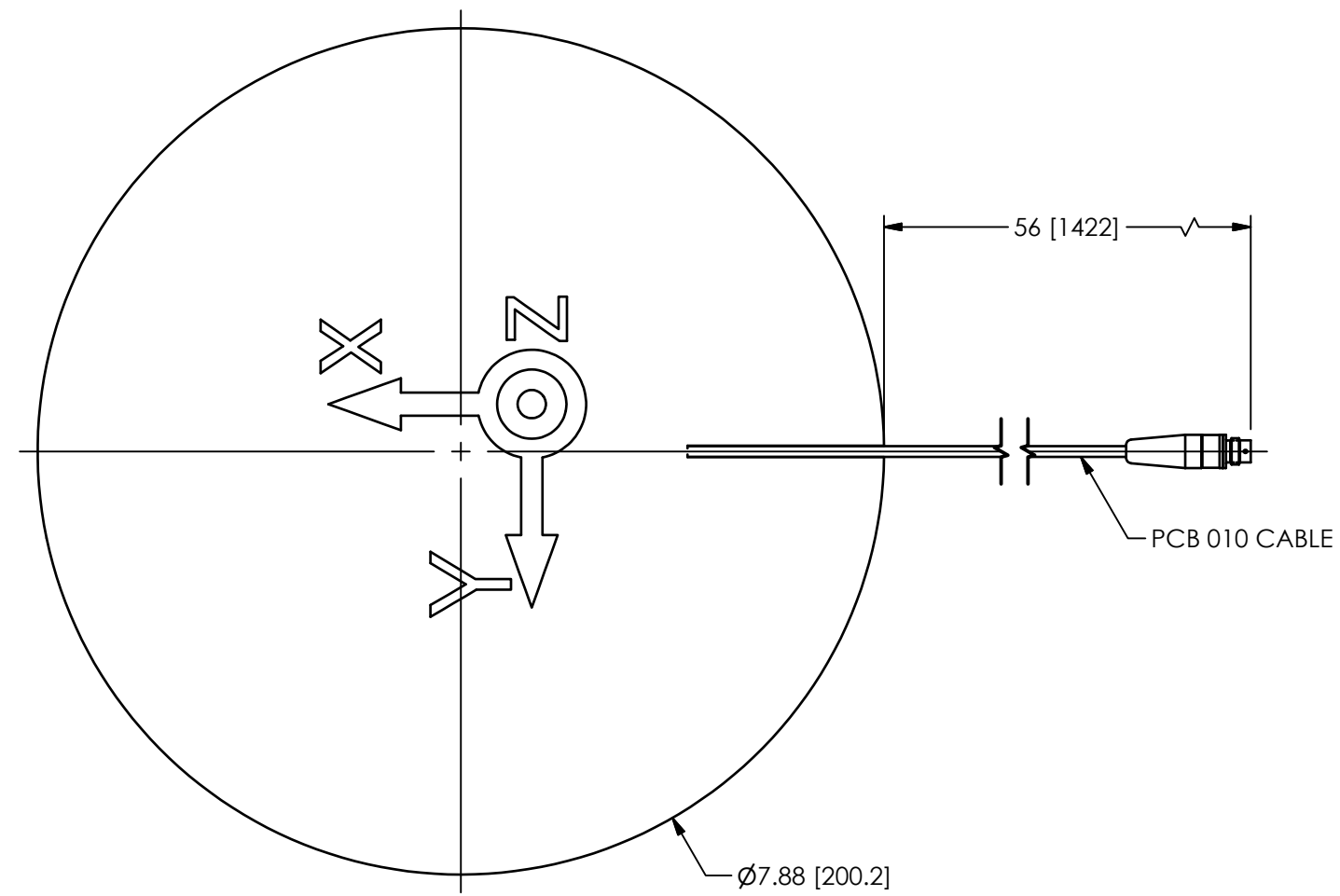


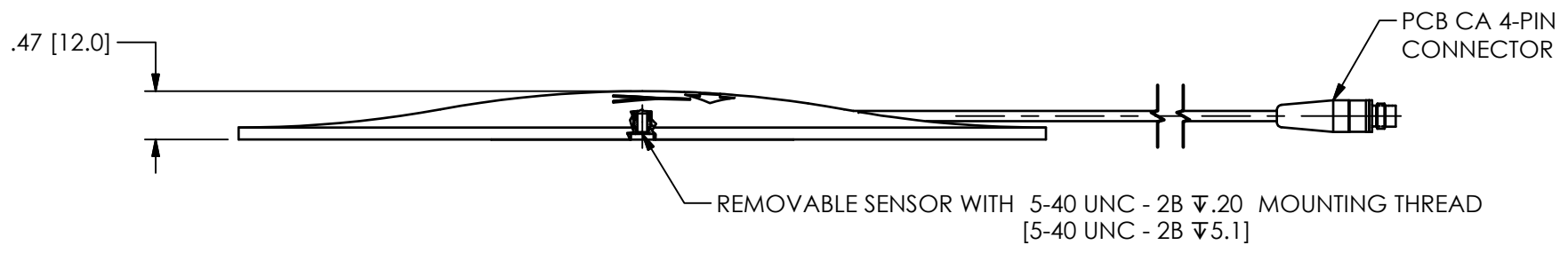
PCB Piezotronics Inc. claims proprietary rights in the information disclosed hereon. Neither it nor any reproduction thereof will be disclosed to others without the written consent of PCB Piezotronics Inc.

33519

REVISIONS		
REV	DESCRIPTION	DIN
B	ADDED PINOUT	45799



PINOUT
SCALE 5X



UNLESS OTHERWISE SPECIFIED TOLERANCES ARE:		DRAWN		CHECKED		ENGINEER			
DIMENSIONS IN INCHES	DIMENSIONS IN MILLIMETERS [IN BRACKETS]	JES	7/5/18	JDM	7/5/18	BAM	7/5/18		
DECIMALS XX ±.03 XXX ±.010	DECIMALS X ±0.8 XX ±0.25	TITLE OUTLINE DRAWING MODEL 356B41 SEAT PAD ACCELEROMETER						CODE IDENT. NO. 52681	DWG. NO. 33519
ANGLES ± 2 DEGREES	ANGLES ± 2 DEGREES							SCALE: .6X	SHEET 1 OF 1
FILLETS AND RADII .003 - .005	FILLETS AND RADII 0.07 - 0.13								

PCB PIEZOTRONICS™
3425 WALDEN AVE. DEPEW, NY 14043
(716) 684-0001 E-MAIL: sales@pcb.com