

21613

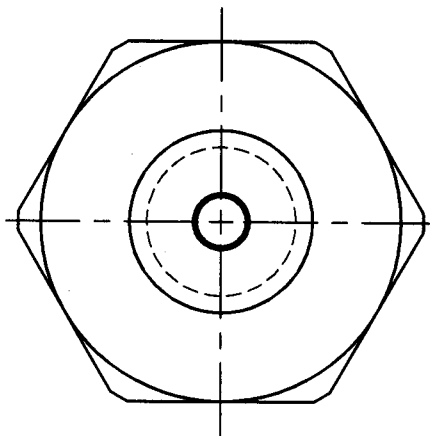
PCB Piezotronics Inc. claims proprietary rights in the information disclosed hereon. Neither it nor any reproduction thereof will be disclosed to others without written consent of PCB Piezotronics Inc.

APPLICATION

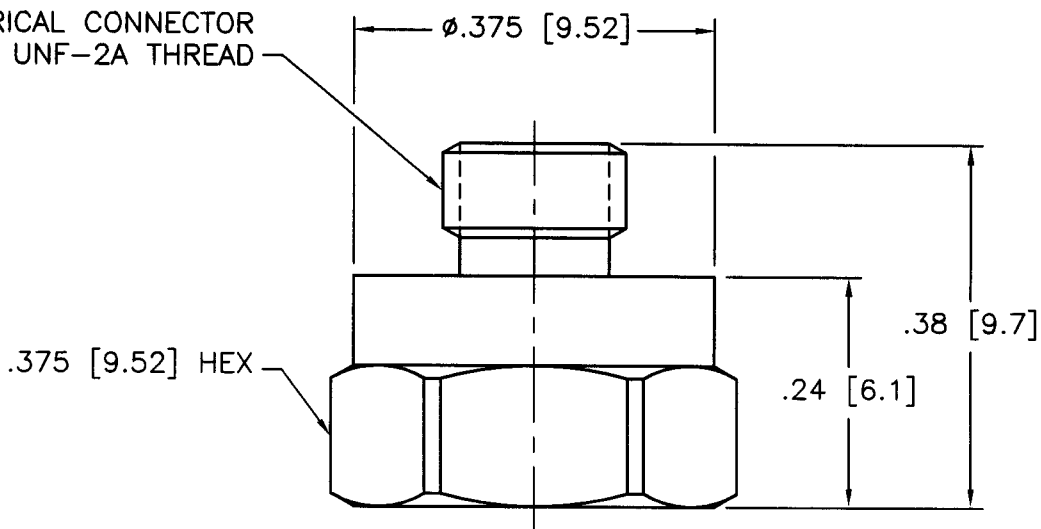
NEXT ASS'Y	USED ON	VAR

REVISIONS

REV	DESCRIPTION	ECN	DATE	APP'D
NR	RELEASED TO DRAFTING		1/24/03	GM/DS



ELECTRICAL CONNECTOR
10-32 UNF-2A THREAD



UNLESS SPECIFIED TOLERANCES

DIMENSIONS IN INCHES	DIMENSIONS IN MILLIMETERS [IN BRACKETS]
DECIMALS XX ±.01	DECIMALS XX ±0.3
XXX ±.005	XXX ±0.13
ANGLES ±2 DEGREES	ANGLES ±2 DEGREES
FILLETS AND RADII .003 - .005	FILLETS AND RADII [0.07 - 0.13]

DRAWN	<i>SPB</i>	<i>1/24/03</i>	MFG	<i>AL</i>	<i>1/21/03</i>
CHK'D	<i>SM</i>	<i>1/24/03</i>	ENGR	<i>DTs</i>	<i>1/24/03</i>
APP'D	<i>BAS</i>	<i>1/24/03</i>	SALES	<i>WJL</i>	<i>1/24/03</i>

PCB PIEZOTRONICS
 3425 WALDEN AVE. DEPEW, NY 14043
 (716) 684-0001 EMAIL: SALES@PCB.COM

TITLE
 OUTLINE DRAWING
 MODEL 357B45
 ACCELEROMETER

CODE IDENT. NO. 52681
 DWG. NO. 21613