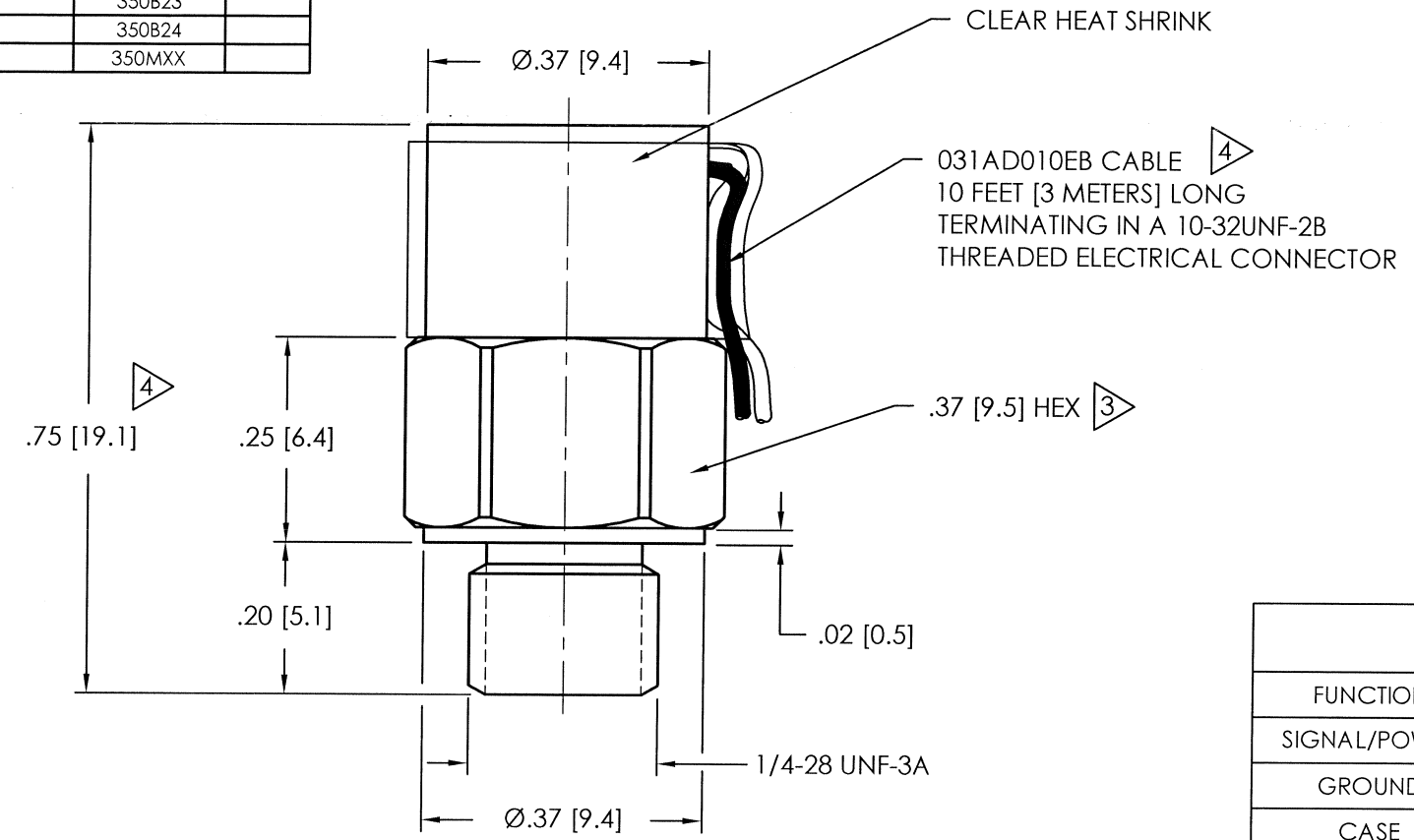


APPLICATION		
NEXT ASSY	USED ON	VAR
	350C02	
	350B02	
	350B23	
	350B24	
	350MXX	

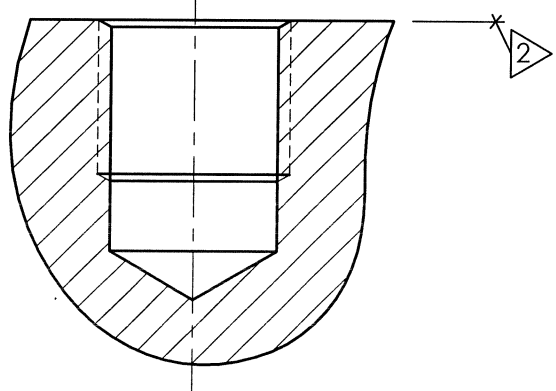
PCB Piezotronics Inc. claims proprietary rights in the information disclosed hereon. Neither it nor any reproduction thereof will be disclosed to others without written consent of PCB Piezotronics Inc.

REVISIONS					
ZONE	REV	DESCRIPTION	ECN	DATE	APP'D
	E	ADDED 350B24 TO TITLE BLOCK	22342	6/13/05	DM
	F	ADDED INFO FOR /032 OPTION	25297	11/6/06	DM 11/06



MOUNTING HOLE PREPARATION

- ① Ø.218 [5.41]
- ① X .30 [7.6] MIN ▽
- ① 1/4-28 UNF-3B
- ① X .20 [5.1] MIN ▽



PIN OUTS			
FUNCTION	031	032	EB
SIGNAL/POWER	RED	WHITE	CENTER PIN
GROUND	WHITE	BLACK	SHELL
CASE	N/A	SHIELD/GREEN	N/A

- ④ SEE TABLE FOR MODIFICATIONS WHEN ORDERED WITH /032ADXXXEB CABLE OPTION. HEIGHT INCREASES FROM .75 [19.1] TO .95 [24.2].
- ③ RECOMMENDED MOUNTING TORQUE ON .37 [9.5] HEX 2.5-4 FOOT POUNDS [2.8-3.4 NEWTON METERS].
- ② MOUNTING SURFACE SHOULD BE FLAT TO WITHIN .001 [0.03] TIR OVER Ø.38 [9.5] WITH A MINIMUM 63 [1.6] FINISH.
- ① DRILL PERPENDICULAR TO MOUNTING SURFACE TO WITHIN ±1°.

UNLESS SPECIFIED TOLERANCES		DRAWN		MFG		PCB PIEZOTRONICS	
DIMENSIONS IN INCHES	DIMENSIONS IN MILLIMETERS [IN BRACKETS]	DM	11/7/06	PAR	11-08-06	3425 WALDEN AVE. DEPEW, NY 14043 (716) 684-0001 EMAIL: SALES@PCB.COM	
DECIMALS XX ±.03 XXX ±.010 ANGLES ±2 DEGREES	DECIMALS X ±.08 XX ±.025 ANGLES ±2 DEGREES	CHK'D	DM 11/7/06	ENGR	11/7/06	CODE IDENT. NO.	DWG. NO.
FILLETS AND RADII .003 - .005	FILLETS AND RADII [0.07 - 0.13]	APP'D	11/7/06	SALES	11/7/06	52681	11671
TITLE: INSTALLATION DRAWING MECHANICALLY FILTERED SHOCK ACCELEROMETER						SCALE: FULL	SHEET 1 OF 1

11671

