

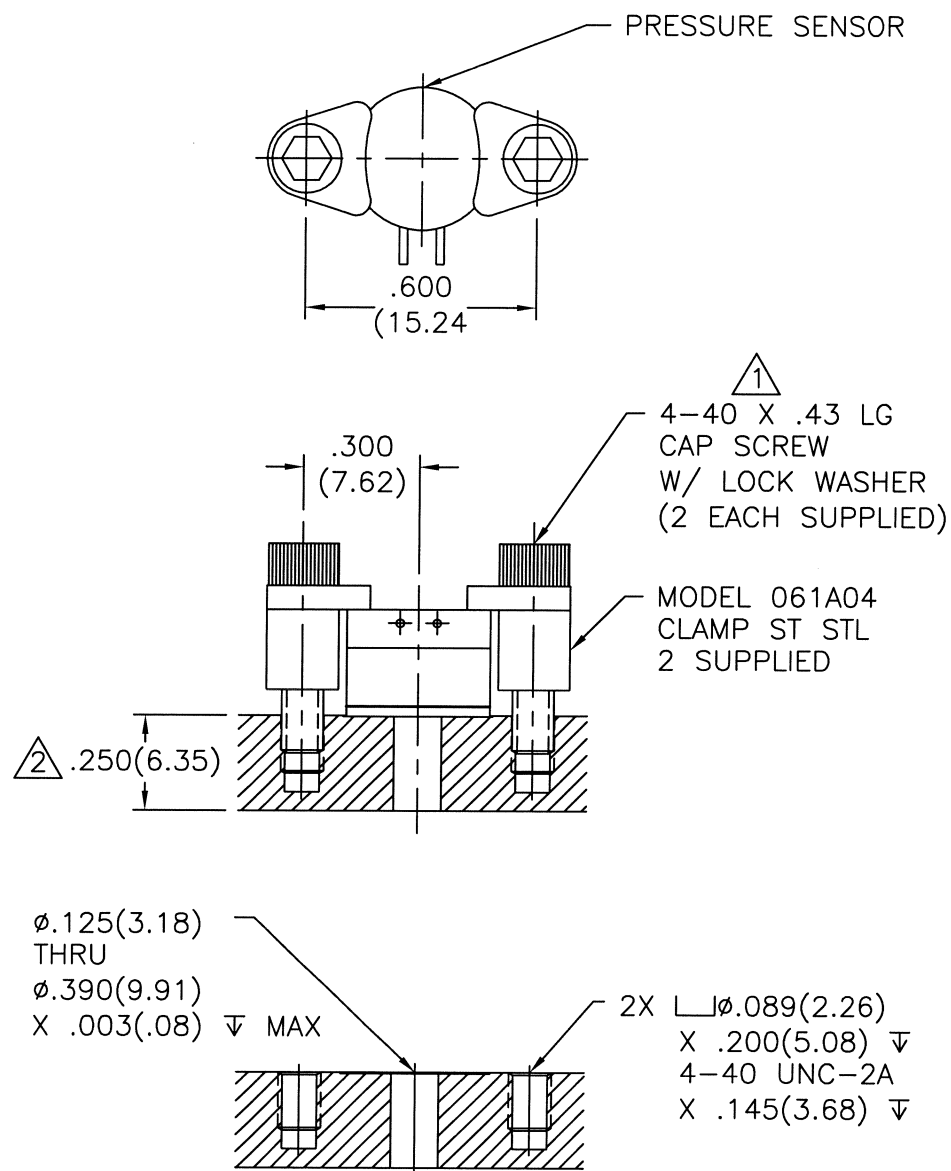
APPLICATION		
NEXT ASS'Y	USED ON	VAR

PCB Piezotronics Inc. claims proprietary rights in the information disclosed hereon. Neither it nor any reproduction thereof will be disclosed to others without written consent of PCB Piezotronics Inc.

REVISIONS					
ZONE	REV	DESCRIPTION	ECN	DATE	APP'D
	A	REVISED PER ECR	22509	7/13/05	<i>om</i>

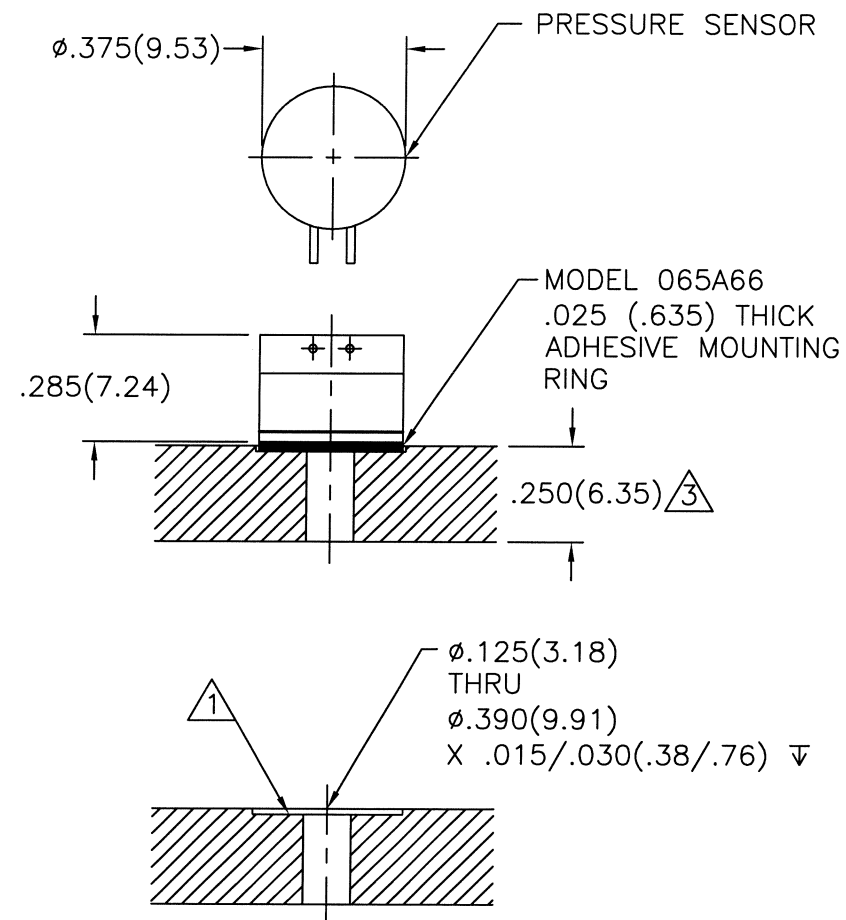
24844

INSTALLED WITHOUT "O-RING"



- ① MOUNTING TORQUE SHOULD BE BETWEEN 4-5 INCH POUNDS (4.5-5.6 Nm)
- ② EXCEEDING THIS DIMENSION WILL START LOWERING FREQUENCY RESPONSE

INSTALLED WITH ADHESIVE MOUNTING RING



- ① PREP SURFACE WITH A 0.500 (12.70) SPOTFACE, .015-.030 (.38-.76) ∇ , 32 FINISH MIN. CENTER SPOTFACE TO 0.125 (3.18). APPLY 065A66 ADHESIVE MOUNTING RING, THEN SENSOR. LET SELF-CURE FOR 12 HRS. PRIOR TO TESTING. MAKE SURE SURFACE IS FREE OF DIRT, OIL, AND DEBRIS BEFORE APPLICATION.
- 2.) PRESSURE SHOULD NOT EXCEED 20 PSI WHEN USING ADHESIVE MOUNTING RING.
- ③ EXCEEDING THIS DIMENSION WILL START LOWERING FREQUENCY RESPONSE

UNLESS SPECIFIED TOLERANCES		DRAWN		MFG		PCB PIEZOTRONICS	
DIMENSIONS IN INCHES	DIMENSIONS IN MILLIMETERS [IN BRACKETS]	ECB	7/5/05	RC	7/22/05	3425 WALDEN AVE. DEPEW, NY 14043	
DECIMALS XX ±.01	DECIMALS X ±0.3	CHK'D	om 7/15/05	ENGR	NJL 7/15/05	(716) 684-0001 EMAIL: SALES@PCB.COM	
XXX ±.005	XX ±0.13	APP'D	RF 7/26/05	SALES	Jmm 7/15/05	CODE	DWG. NO.
ANGLES ±2 DEGREES	ANGLES ±2 DEGREES	TITLE		INSTALLATION DRAWING		IDENT. NO.	24844
FILLETS AND RADII .003 - .005	FILLETS AND RADII [0.07 - 0.13]	MODEL 103B01/B11 SERIES		PRESSURE SENSOR		52681	
DD012 REV. C 01/21/03						SCALE: 2X	SHEET 1 OF 1