

22929

PCB Piezotronics Inc. claims proprietary rights in the information disclosed hereon. Neither it nor any reproduction thereof will be disclosed to others without written consent of PCB Piezotronics Inc.

APPLICATION

NEXT ASS'Y	USED ON	VAR

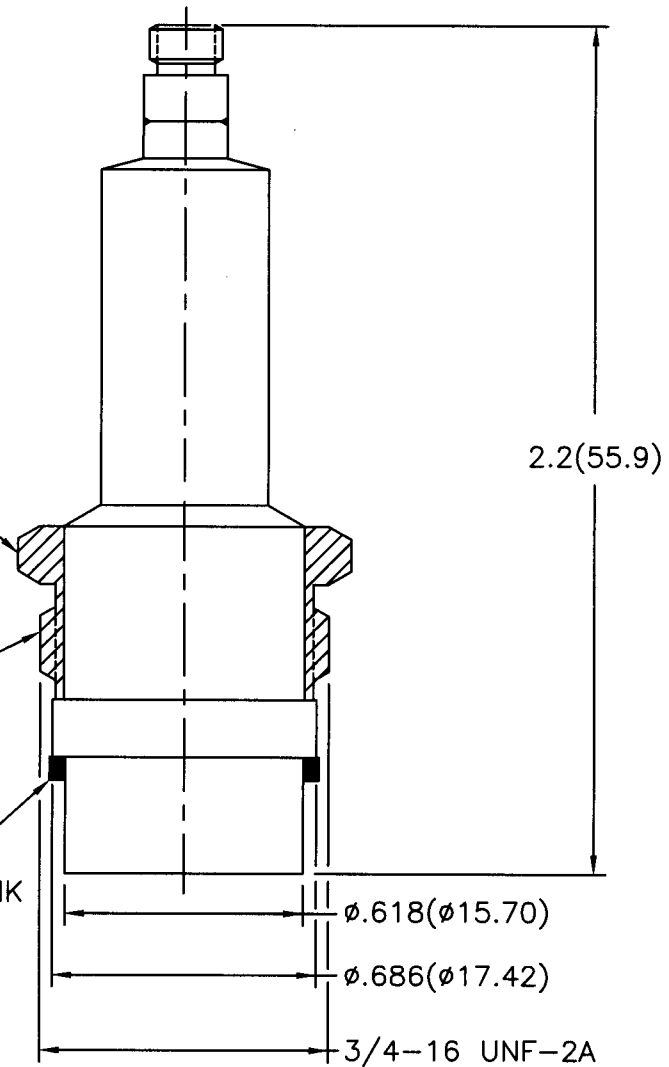
REVISIONS

REV	DESCRIPTION	ECN	DATE	APP'D
NR	RELEASED TO DRAFTING		5/19/03	oms/s

② .750 HEX
(19.05 HEX)

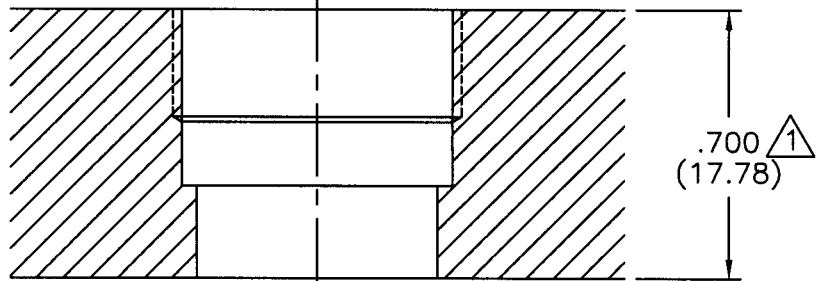
MODEL 060A11
CLAMP NUT
MAT'L DELRIN

MODEL 065A36
SEAL .060(1.52) THK
MAT'L DELRIN
.700(17.78) O.D.



MOUNTING HOLE PREPARATION

Ø.625(Ø15.88)
THRU
L Ø.703(Ø17.86)
X .460(11.68) ▽
3/4-16 UNF-2B
X .28(7.1) ▽



② RECOMMENDED MOUNTING TORQUE ON 3/4 HEX 3-5 FT LBS
(.415-.691 METER KILOGRAMS).

① DIMENSIONS SHOWN ARE FOR .700(17.78) THICK WALL. COUNTERBORE THICKER WALLS.

UNLESS SPECIFIED TOLERANCES

DIMENSIONS IN INCHES	DIMENSIONS IN MILLIMETERS [IN BRACKETS]
DECIMALS XX ±.01	DECIMALS X ±0.3
XXX ±.005	XX ±0.13
ANGLES ±2 DEGREES	ANGLES ±2 DEGREES
FILLETS AND RADII .003 - .005	FILLETS AND RADII [0.07 - 0.13]

DRAWN	EC3	5/28/03	MFG	JBS	5/29/03
CHK'D	DM	5/28/03	ENGR	KES	5/28/03
APP'D	WST	5/29/03	SALES	MBD	5/29/03

PCB PIEZOTRONICS™
 3425 WALDEN AVE. DEPEW, NY 14043
 (716) 684-0001 EMAIL: SALES@PCB.COM

CODE IDENT. NO. 52681
 DWG. NO. 22929

TITLE
 INSTALLATION DRAWING
 MODEL 106B52
 OFF-GROUND PRESSURE SENSOR