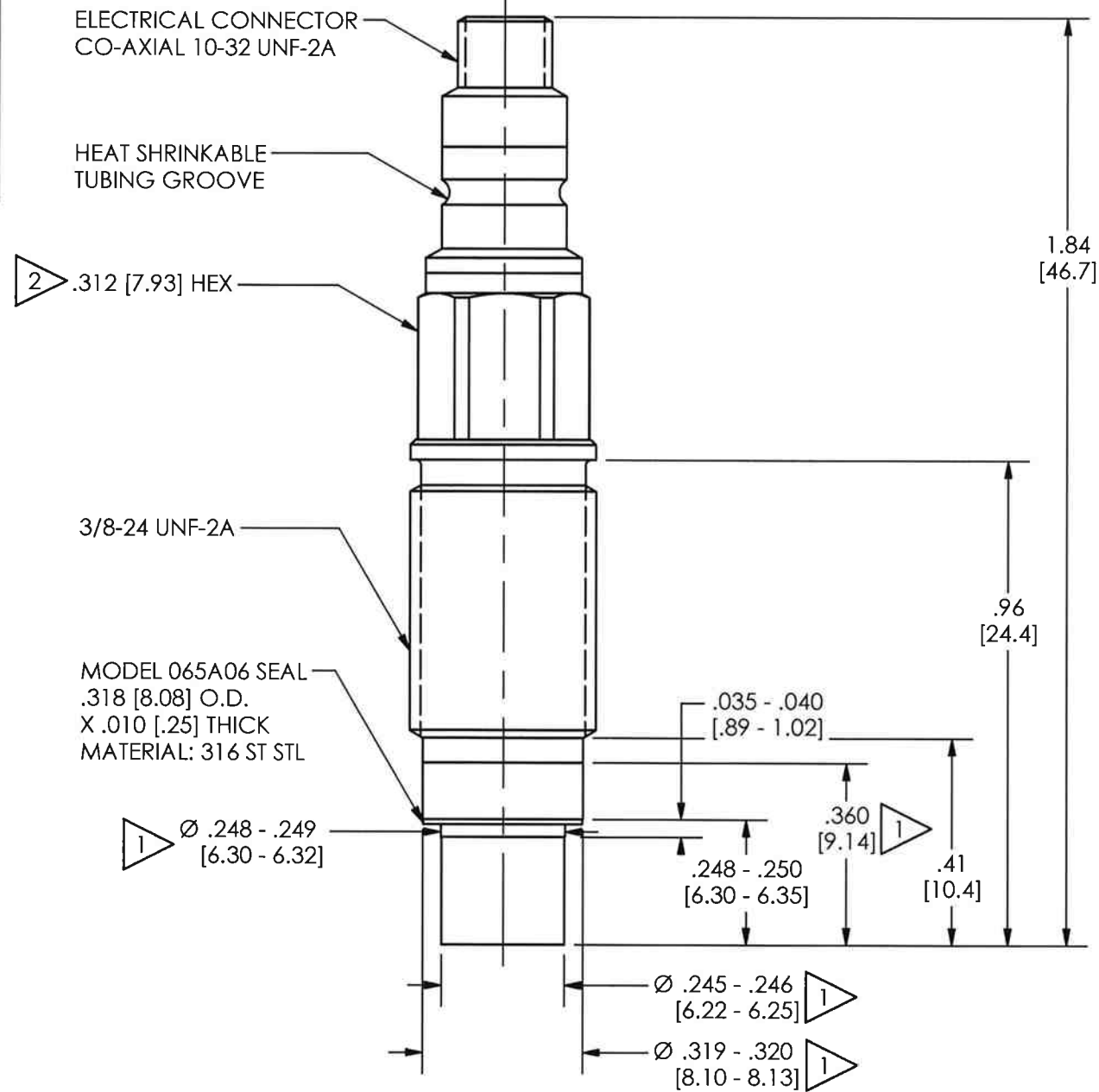


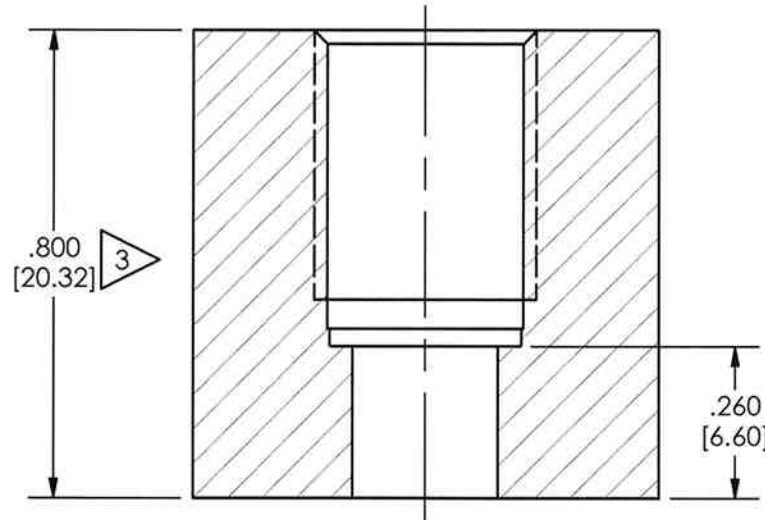
108-1020-90

PCB Piezotronics Inc. claims proprietary rights in the information disclosed hereon. Neither it nor any reproduction thereof will be disclosed to others without the written consent of PCB Piezotronics Inc.

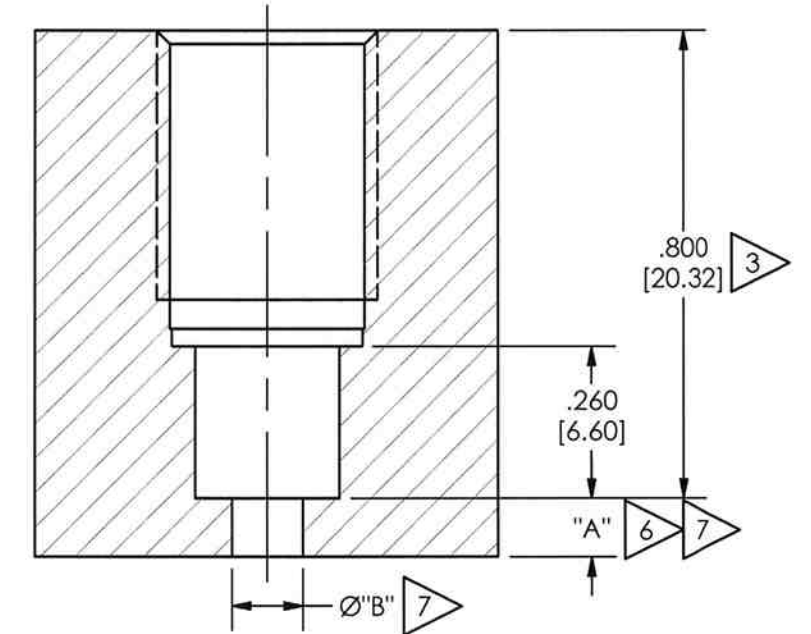
REVISIONS		
REV	DESCRIPTION	ECO
F	ADD MODEL TO TITLE BLOCK	23185
G	UPDATE MOUNTING HOLES	29412



FLUSH INSTALLATION



RECESSED INSTALLATION



MOUNTING HOLE DIMENSIONS

- 3 5 \varnothing .252 ±.001 [6.40 ±.03] THRU
- 4 5 \varnothing .332 ±.001 [8.43 ±.03] (X .540 [13.72] ∇)
- 8 3/8-24 UNF-2B (X .460 [11.68] ∇ PERFECT THREAD)

MOUNTING HOLE DIMENSIONS

- 3 5 \varnothing .252 ±.001 [6.40 ±.03] X .800 [20.3] ∇
- 4 5 \varnothing .332 ±.001 [8.43 ±.03] (X .540 [13.72] ∇)
- 8 3/8-24 UNF-2B (X .460 [11.68] ∇ PERFECT THREAD)

- 8 CAUTION: DO NOT TOUCH SEAL SURFACE WITH TAP WHEN TAPPING HOLE.
- 7 DIMENSION "A" & "B" TO SUIT USER REQUIREMENTS.
- 6 KEEP "A" AS SHORT AS POSSIBLE, SEE OPERATING GUIDE FOR OPTIMUM PASSAGE LENGTH.
- 5 THESE DIAMETERS TO BE CONCENTRIC WITHIN .001 [.03] TIR.
- 4 SEAL SURFACE SHOULD BE FLAT AND FREE OF TOOL MARKS WITH A MINIMUM $\sqrt{63[1.6]}$ FINISH FOR BEST RESULTS.
- 3 DIMENSIONS SHOWN ARE FOR .800 [20.32] WALL THICKNESS. COUNTERBORE FOR THICKER WALL.
- 2 RECOMMENDED MOUNTING TORQUE ON .312 [7.93] HEX: 20-25 FT-LB [27-34 N-M].
- 1 MATERIAL: C-300 MARAGING STEEL

UNLESS OTHERWISE SPECIFIED TOLERANCES ARE:		DRAWN	MCG	5/19/09	MFG	PRR	5/19/09	 3425 WALDEN AVE. DEPEW, NY 14043 (716) 684-0001 E-MAIL: sales@pcb.com
DIMENSIONS IN INCHES	DIMENSIONS IN MILLIMETERS [IN BRACKETS]	CHK'D	ECB	5/20/09	ENGR	APB	5/19/09	
DECIMALS XX ±.01 XXX ±.005	DECIMALS X ±.03 XX ±.013	APP'D	EB	5/19/09	SALES	RWM	5/19/09	
ANGLES ± 2 DEGREES	ANGLES ± 2 DEGREES	TITLE		INSTALLATION DRAWING MODEL 108A02, 108A04 HERMETICALLY SEALED PRESSURE SENSOR				
FILLETS AND RADII .003 - .005	FILLETS AND RADII [0.07 - 0.13]	SCALE: 3X		SHEET 1 OF 1		CODE IDENT. NO. 52681		DWG. NO. 108-1020-90