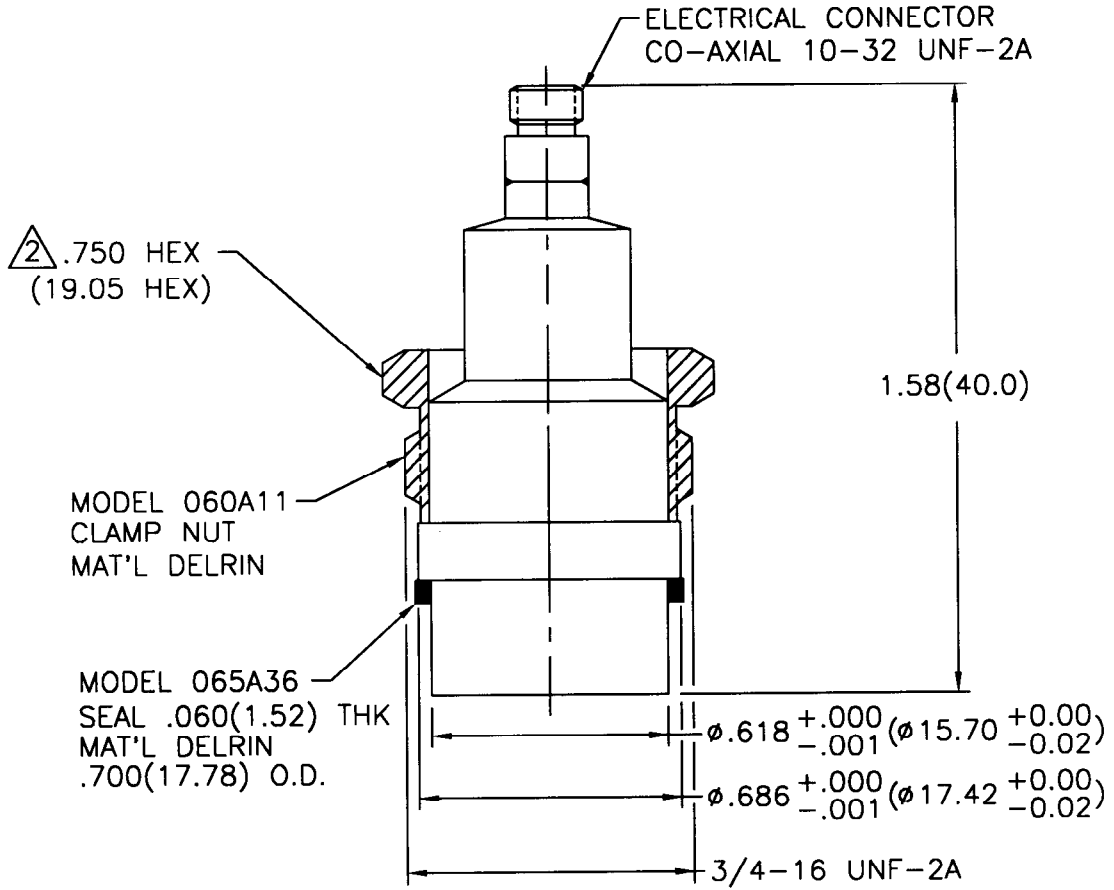


106-2500-90

PCB Piezotronics Inc. claims proprietary rights in the information disclosed hereon. Neither it nor any reproduction thereof will be disclosed to others without written consent of PCB Piezotronics Inc.

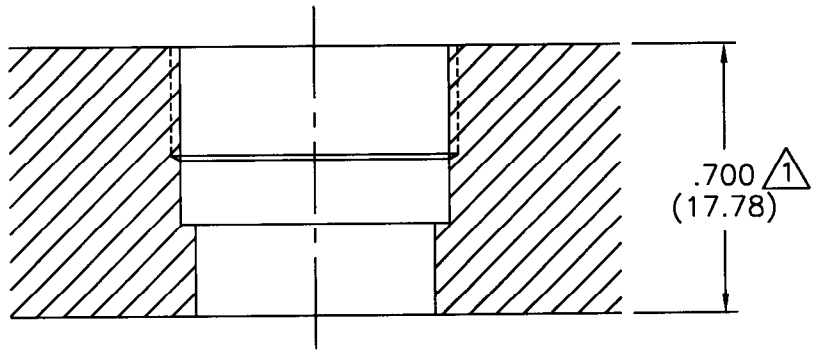
APPLICATION		
NEXT ASS'Y	USED ON	VAR

REVISIONS				
REV	DESCRIPTION	ECN	DATE	APP'D
E	REVISED PER ECN	8320	10/14/97	KenL



MOUNTING HOLE PREPARATION

- DRILL ϕ .625(ϕ 15.88)
- THRU
- \square ϕ .703(ϕ 17.86)
- X .460(11.68) ∇
- TAP 3/4-16 UNF-2B
- X .28(7.1) ∇



- ∇ RECOMMENDED MOUNTING TORQUE ON 3/4 HEX 3-5 FT LBS (.415-.691 METER KILOGRAMS).
- \square DIMENSIONS SHOWN ARE FOR .700(17.78) THICK WALL. COUNTERBORE THICKER WALLS.

UNLESS SPECIFIED TOLERANCES		DRAWN		MFG		PCB PIEZOTRONICS, INC.	
DIMENSIONS IN INCHES	DIMENSIONS IN MILLIMETERS (IN PARENTHESIS)	CHK'D	KenL	10/14/97	ENGR	ACT	10/14/97
DECIMALS XX \pm .01	DECIMALS XX \pm 0.3	APP'D	KenL	10/14/97	Sub	PPR	10/14/97
XXX \pm .005	XXX \pm 0.13	TITLE				CODE	DWG. NO.
ANGLES \pm 2 DEGREES	ANGLES \pm 2 DEGREES	INSTALLATION DRAWING				52681	106-2500-90
FILLET AND RADII .003 - .005	FILLET AND RADII (0.07 - 0.13)	MODEL 106B50				SCALE: 2X SHEET 1 OF 1	
DD011 REV. A 05/26/95		OFF-GND PRESSURE SENSOR					