

7788

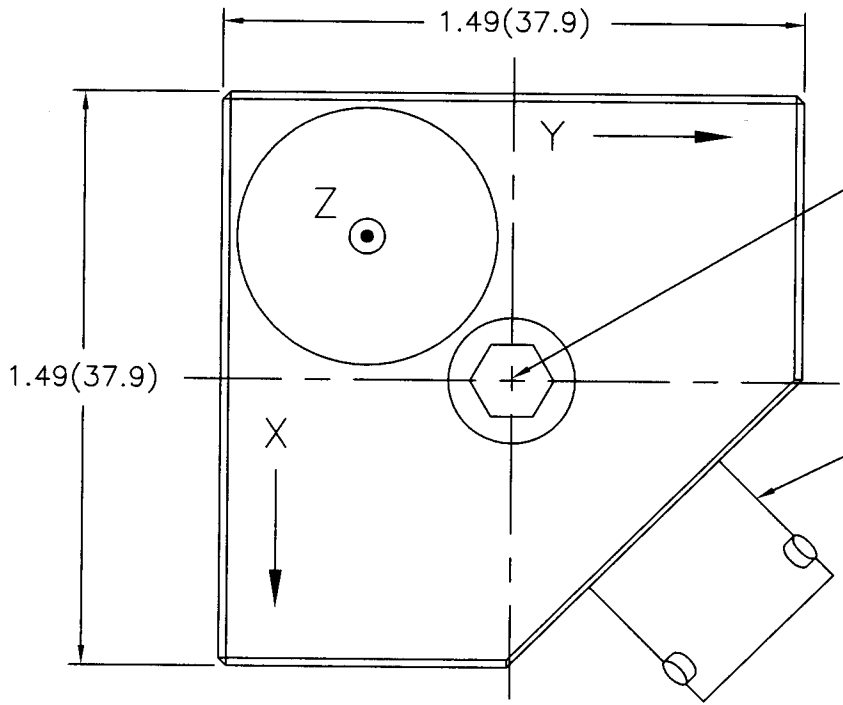
PCB Piezotronics Inc. claims proprietary rights in the information disclosed hereon. Neither it nor any reproduction thereof will be disclosed to others without written consent of PCB Piezotronics Inc.

APPLICATION

NEXT ASS'Y	USED ON	VAR

REVISIONS

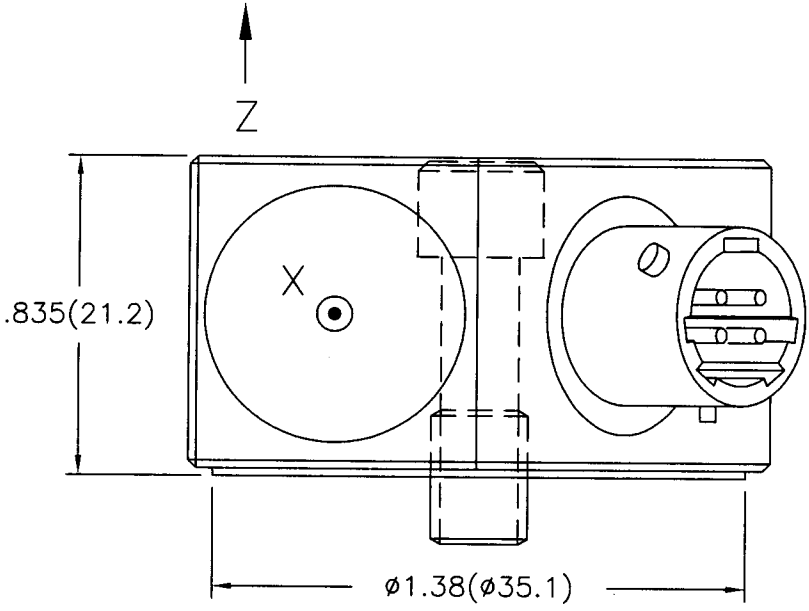
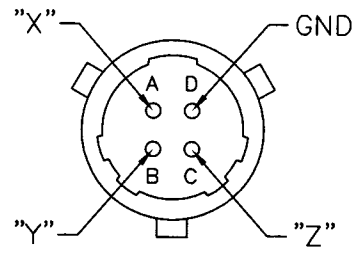
REV	DESCRIPTION	ECN	DATE	APP'D
A	REVISED PER ECN	8747	2/17/98	DM2/98
B	UPDATE FOR UNIFORMITY	13113	2/21/01	DM3/01



MOUNTING BOLT
MODEL 081A56
1/4-28 UNF-2A
X .75(19.1) LONG
(SUPPLIED) \triangle

ELECTRICAL CONNECTOR
4-PIN BAYONET
(MIL-C-26482)

SIDE VIEW OF CONNECTOR



\triangle FOR METRIC TRIAXIAL ACCELEROMETER (M629A31, M629A32) USE MOUNTING BOLT MODEL M081A59, M6 X 1.00-6g X .787(20.0) LONG.

UNLESS SPECIFIED TOLERANCES		DRAWN	MUS 3/16/01	MFG	P.L.B. 3/21/01	<p>3425 WALDEN AVE. DEPEW, NY 14043 (716) 684-0001 EMAIL: SALES@PCB.COM</p>
DIMENSIONS IN INCHES	DIMENSIONS IN MILLIMETERS (IN PARENTHESIS)	CHK'D	DM 3/16/01	ENGR	N.F. 3/16/01	
DECIMALS XX \pm .01 XXX \pm .005	DECIMALS XX \pm 0.3 XXX \pm 0.13	APP'D	MA 3/22/01		EGY 3/23/01	
ANGLES \pm 2 DEGREES	ANGLES \pm 2 DEGREES	TITLE				CODE IDENT. NO.
FILLETS AND RADII .003 - .005	FILLETS AND RADII (0.07 - 0.13)	OUTLINE DRAWING MODELS 629A31, M, A32, M TRIAxIAL ACCELEROMETER				DWG. NO. 7788
DD011 REV. B 03/13/98						SCALE: 2X SHEET 1 OF 1