

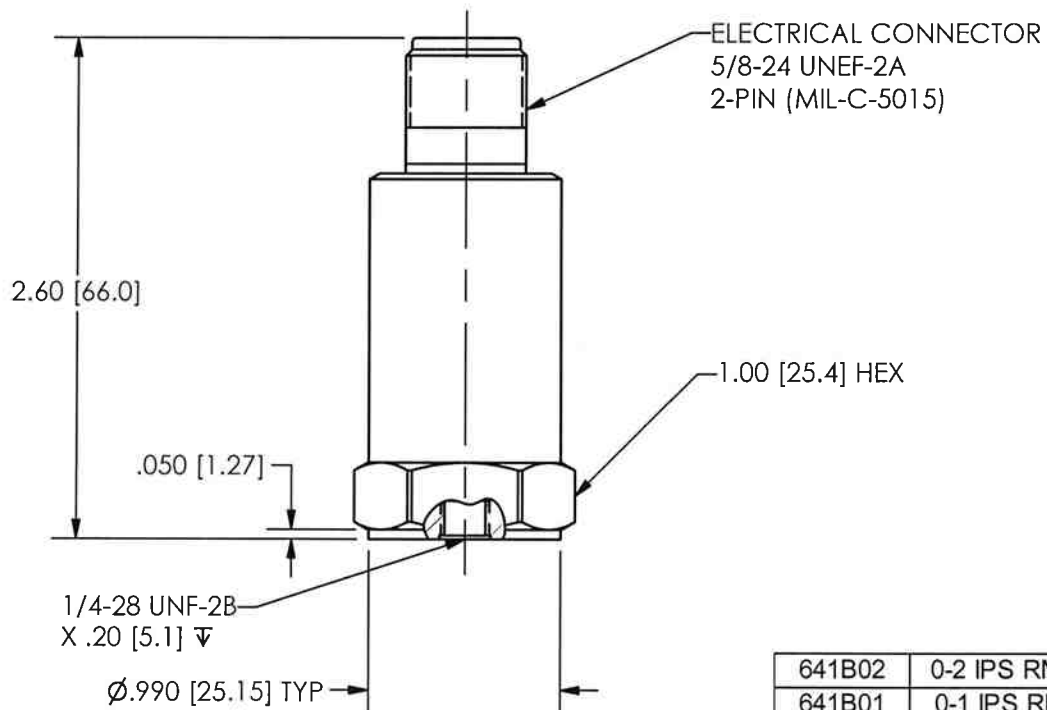
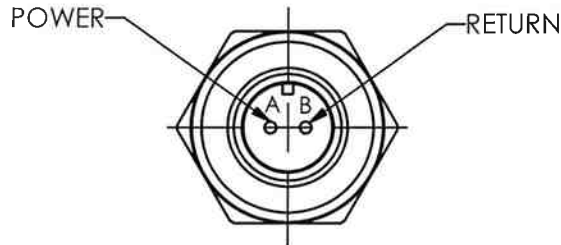
PCB Piezotronics Inc. claims proprietary rights in the information disclosed hereon. Neither it nor any reproduction thereof will be disclosed to others without the written consent of PCB Piezotronics Inc.

REVISIONS

REV	DESCRIPTION	ECN	APP'D
A	REVISED PER ECN	20524	DM 9/04
B	CHANGED "MILL" TO "MIL"	26998	ECB 8/07

25316

TOP VIEW OF CONNECTOR



MODEL	DESCRIPTION
641B02	0-2 IPS RMS, 10Hz-1KHz
641B01	0-1 IPS RMS, 10Hz-1KHz
641B00	0-0.5 IPS RMS, 10Hz-1KHz
640B02	0-2 IPS PK, 3Hz-1KHz
640B01	0-1 IPS PK, 3Hz-1KHz
640B00	0-0.5 IPS PK, 3Hz-1KHz

UNLESS OTHERWISE SPECIFIED TOLERANCES ARE:

DIMENSIONS IN INCHES	DIMENSIONS IN MILLIMETERS [ IN BRACKETS ]
DECIMALS XX ± .03 XXX ± .010	DECIMALS X ± 0.8 XX ± 0.25
ANGLES ± 2 DEGREES	ANGLES ± 2 DEGREES
FILLETS AND RADII .003 - .005	FILLETS AND RADII [ 0.07 - 0.13 ]

DRAWN	CHK'D	APP'D	MFG	JR	8/1/07
MDF	EDB	MJT	ENGR	MJI	8/1/07
8/1/07	8/1/07	8/1/07	SALES	JJ	8/1/07

TITLE  
 OUTLINE DRAWING  
 MODEL 640BOX, M, 641 BOX, M  
 4-20 mA VELOCITY TRANSMITTER

**PCB PIEZOTRONICS**<sup>INC</sup>  
 3425 WALDEN AVE. DEPEW, NY 14043  
 (716) 684-0001 E-MAIL: sales@pcb.com

CODE IDENT. NO. 52681  
 DWG. NO. 25316

SCALE: FULL SHEET 1 OF 1