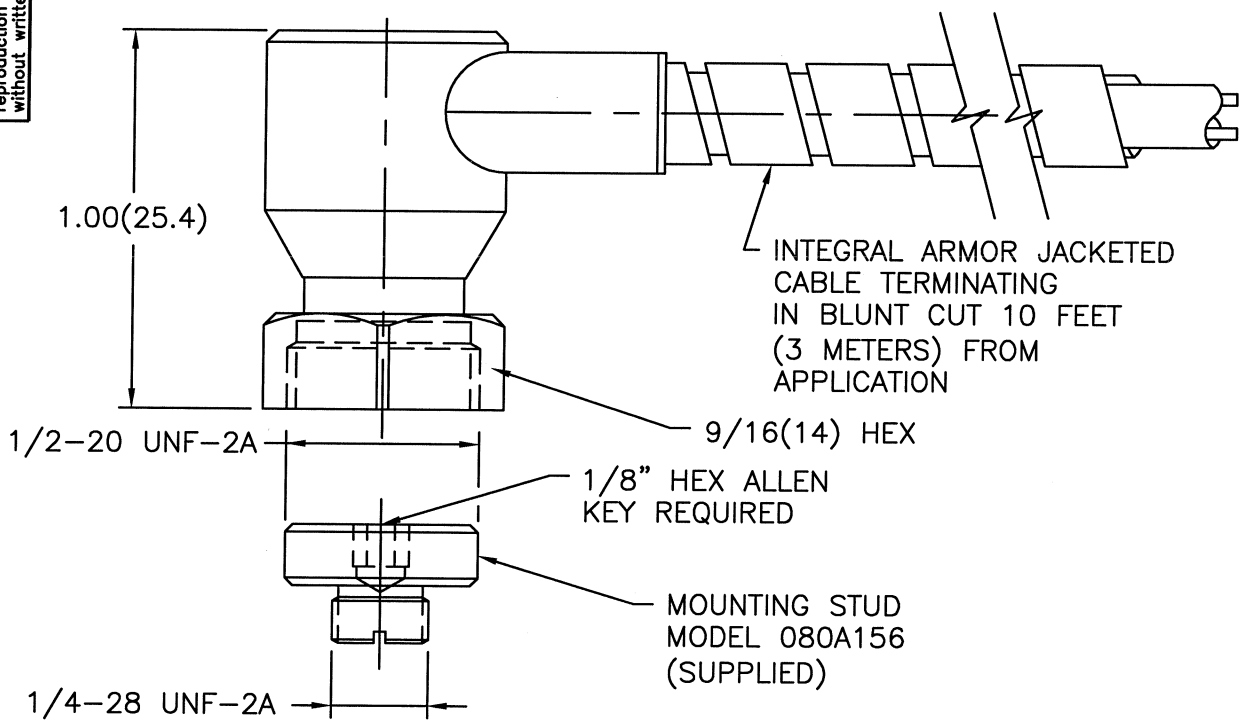
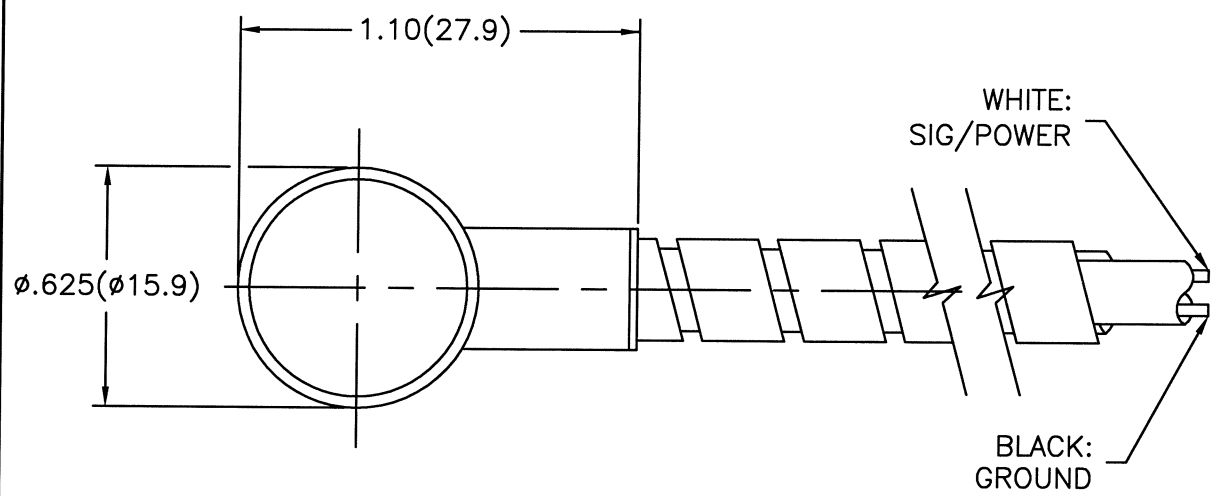


13444

PCB Piezotronics Inc. claims proprietary rights in the information disclosed hereon. Neither it nor any reproduction thereof will be disclosed to others without written consent of PCB Piezotronics Inc.

| APPLICATION | | |
|-------------|---------|-----|
| NEXT ASS'Y | USED ON | VAR |
| | | |

| REVISIONS | | | | |
|-----------|-----------------------|-------|---------|----------|
| REV | DESCRIPTION | ECN | DATE | APP'D |
| A | REVISED PER ECN | 12053 | 6/27/00 | DM 6/00 |
| B | UPDATE FOR UNIFORMITY | 13113 | 2/21/01 | DM 12/01 |



INTEGRAL ARMOR JACKETED CABLE TERMINATING IN BLUNT CUT 10 FEET (3 METERS) FROM APPLICATION

| UNLESS SPECIFIED TOLERANCES | | DRAWN | | | | MFG | | PCB PIEZOTRONICS™ | |
|-------------------------------|--|--|----------|----------|----------|----------|----------|-------------------------------------|---|
| DIMENSIONS IN INCHES | DIMENSIONS IN MILLIMETERS (IN PARENTHESIS) | 1/18 | 12/22/03 | 12/22/03 | 12/22/03 | 12/22/03 | 12/22/03 | 3425 WALDEN AVE. DEPEW, NY 14043 | CODE IDENT. NO. 52681 DWG. NO. 13444 SCALE: 2X SHEET 1 OF 1 |
| DECIMALS XX ±.01 XXX ±.005 | DECIMALS XX ±0.3 XXX ±0.13 | CHK'D DSM | 12/22/03 | ENGR | 12/22/03 | SALES | 12/23/03 | (716) 684-0001 EMAIL: SALES@PCB.COM | |
| ANGLES ±2 DEGREES | ANGLES ±2 DEGREES | APP'D | 12/22/03 | | | | | | |
| FILLETS AND RADII .003 - .005 | FILLETS AND RADII (0.07 - 0.13) | TITLE OUTLINE DRAWING MODEL 607A61 (SPINDLER™) ACCELEROMETER | | | | | | | |
| DD011 REV. B 03/13/98 | | | | | | | | | |