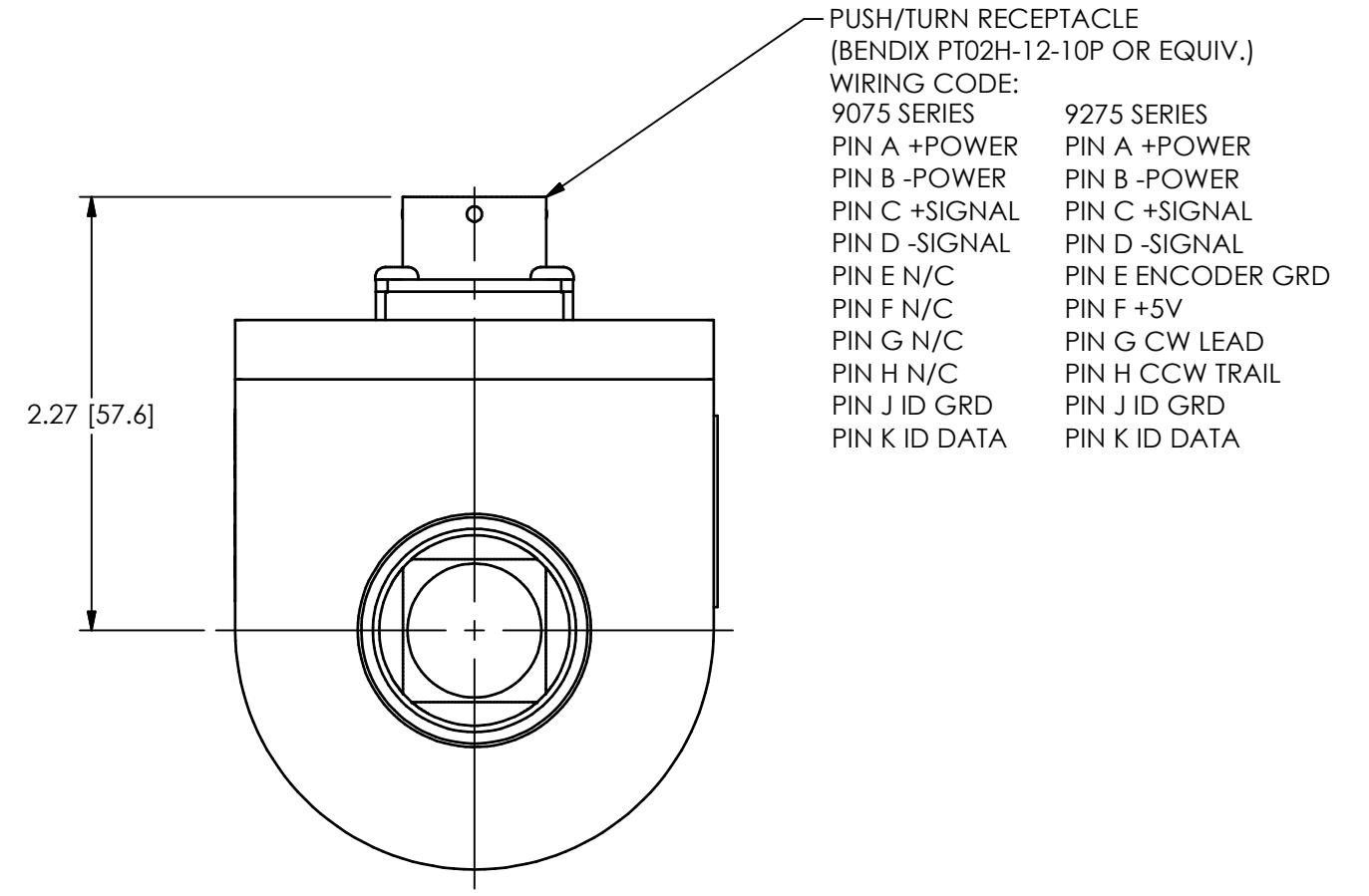
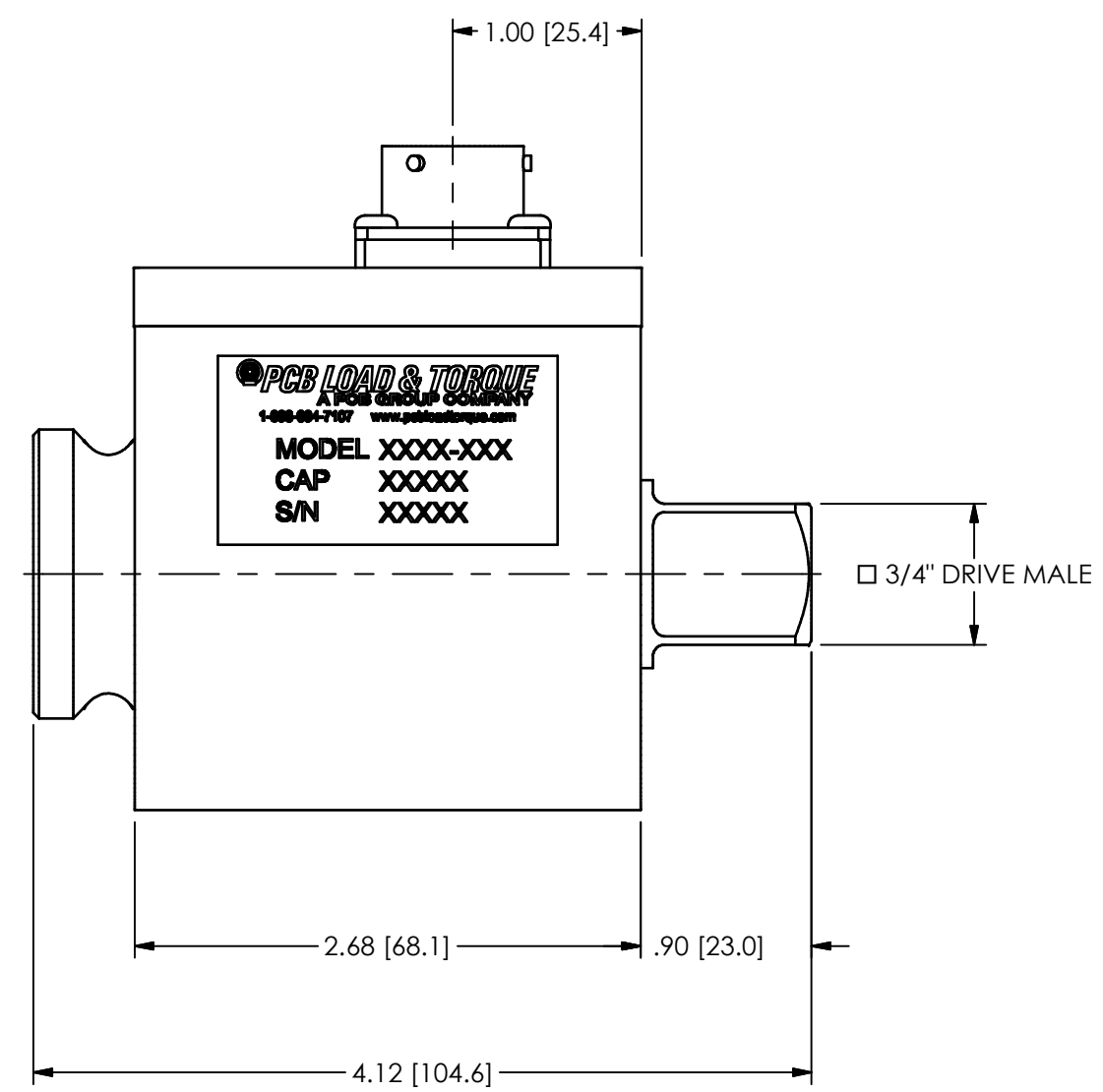
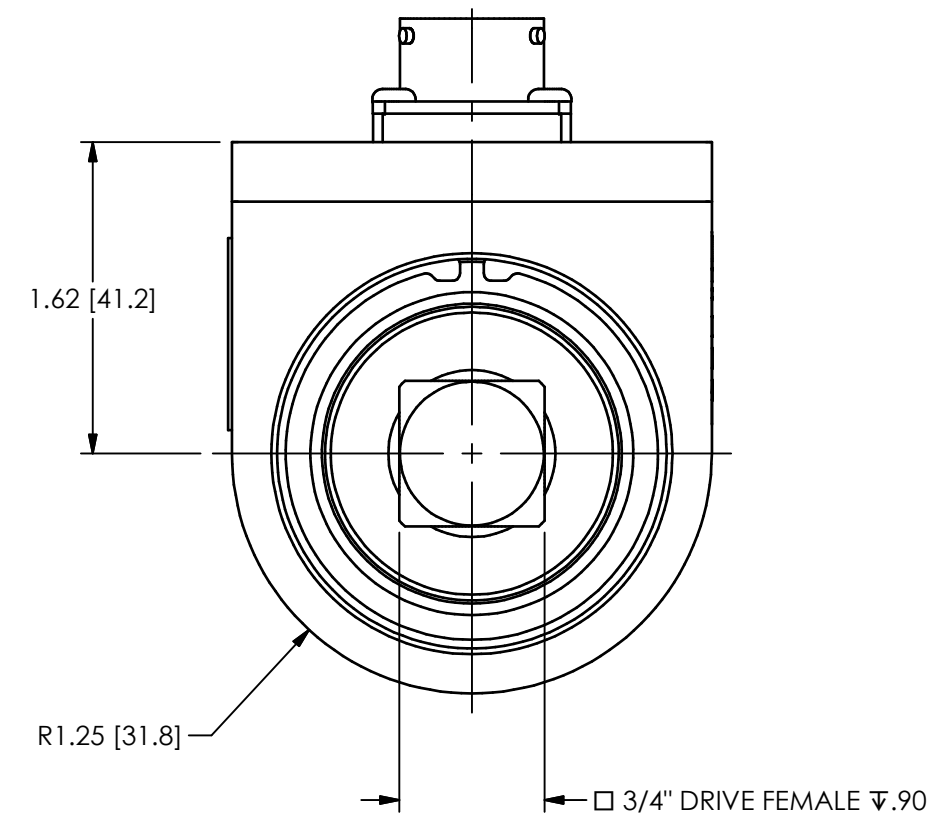
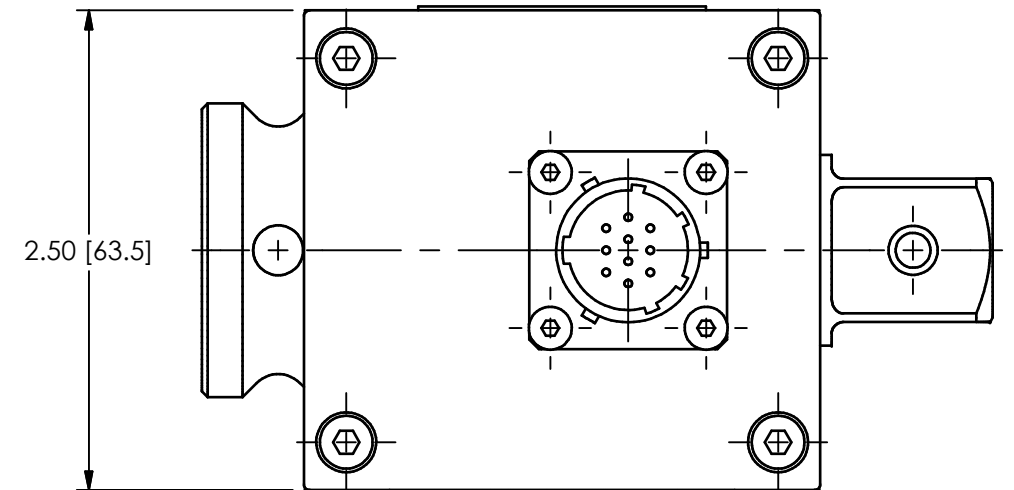
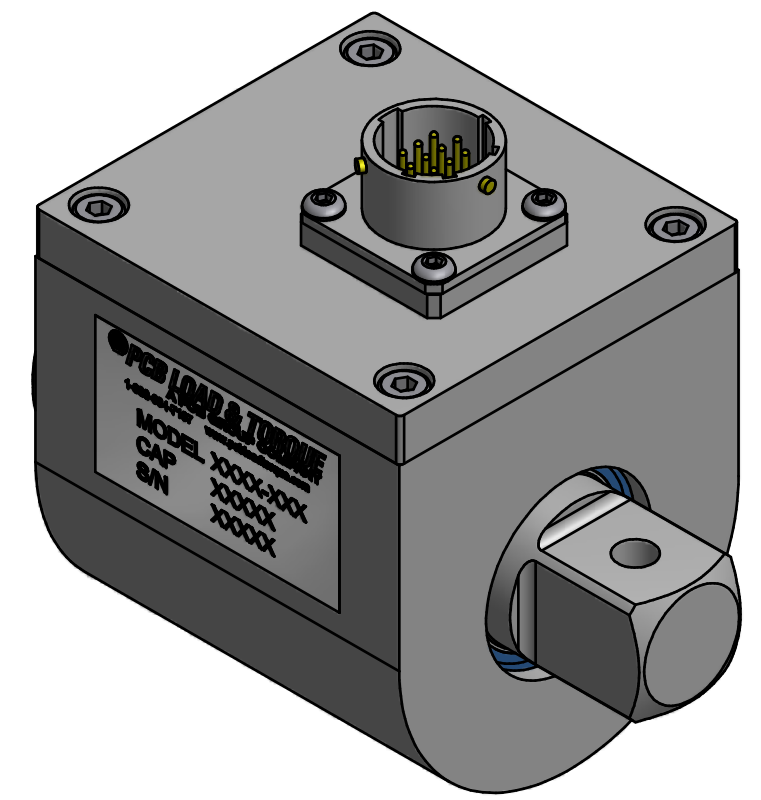
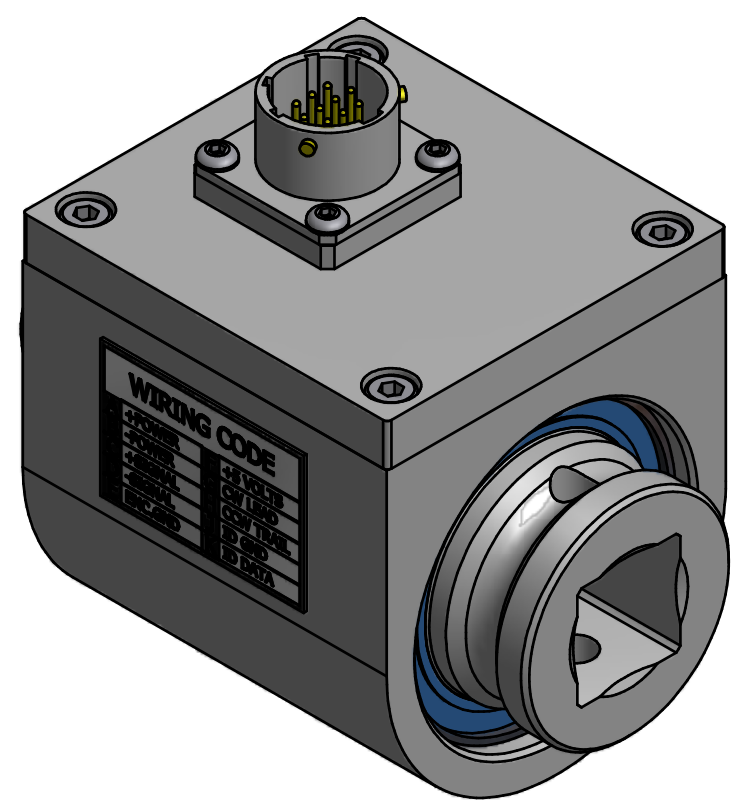


LT38038

PCB Load & Torque Inc. claims proprietary rights in the information disclosed herein. Neither it nor any reproduction thereof will be disclosed to others without the written consent of PCB Load and Torque Inc.

REVISIONS		
REV	DESCRIPTION	ECO
B	UPDATED WIRING CODE - 06.21.17, PTE	46925



UNLESS OTHERWISE SPECIFIED TOLERANCES ARE:		DRAWN		CHECKED		ENGINEER	
DIMENSIONS IN INCHES	DIMENSIONS IN MILLIMETERS [IN BRACKETS]	SMB	09.14.11	JM	09.14.11	PTE	03.22.12
DECIMALS XX ±.01 XXX ±.005	DECIMALS X ± 0.3 XX ± 0.13	TITLE					
ANGLES ± .5 DEGREES	ANGLES ± .5 DEGREES	OUTLINE DRAWING ROTARY TORQUE (SWT)					
FILLETS AND RADII .015 MAX	FILLETS AND RADII 0.38 MAX	3/4" SQ DRIVE, 10 PIN					
24350 Indoplex Circle, Farmington Hills, MI 48335 (716) 684-0001 E-MAIL: ltinfo@pcbloadtorque.com							
DWG. NO. LT38038							
SCALE: FULL SHEET 1 OF 1							