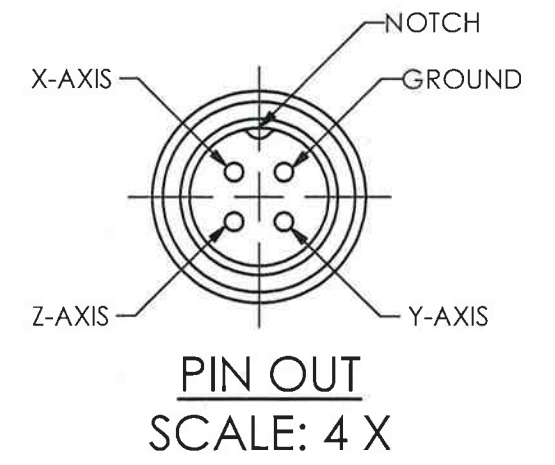
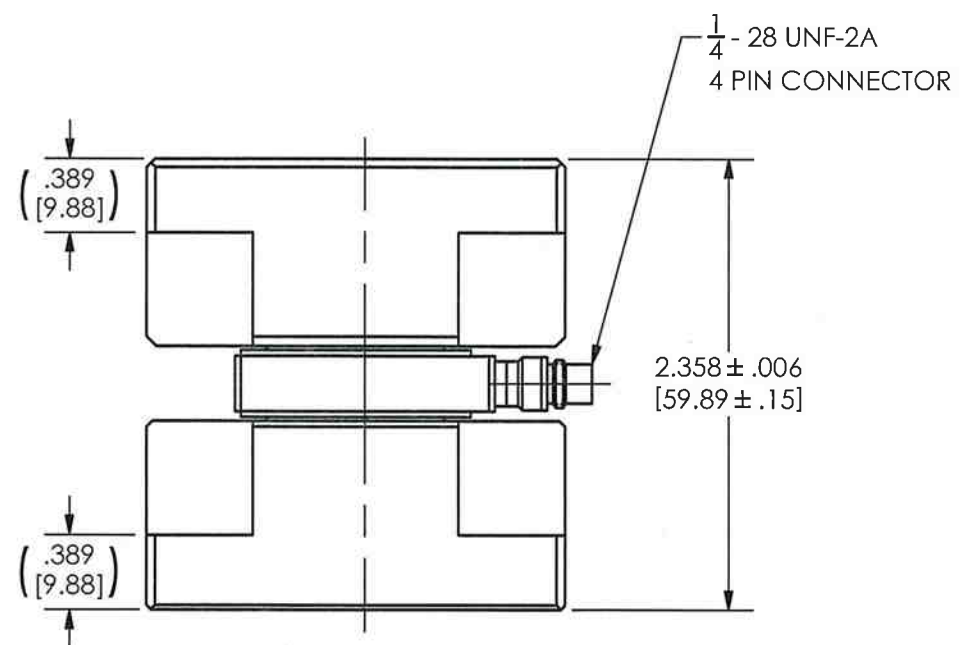
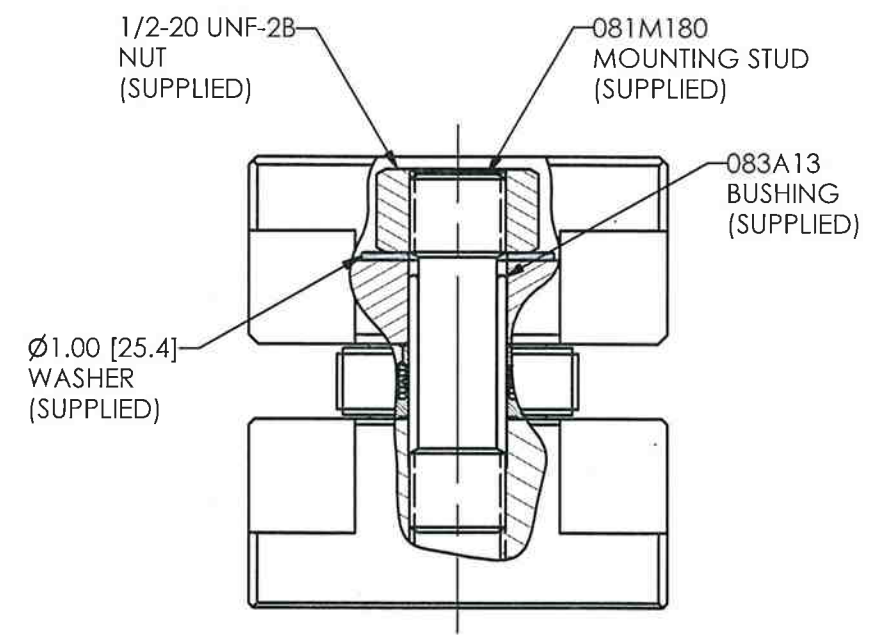
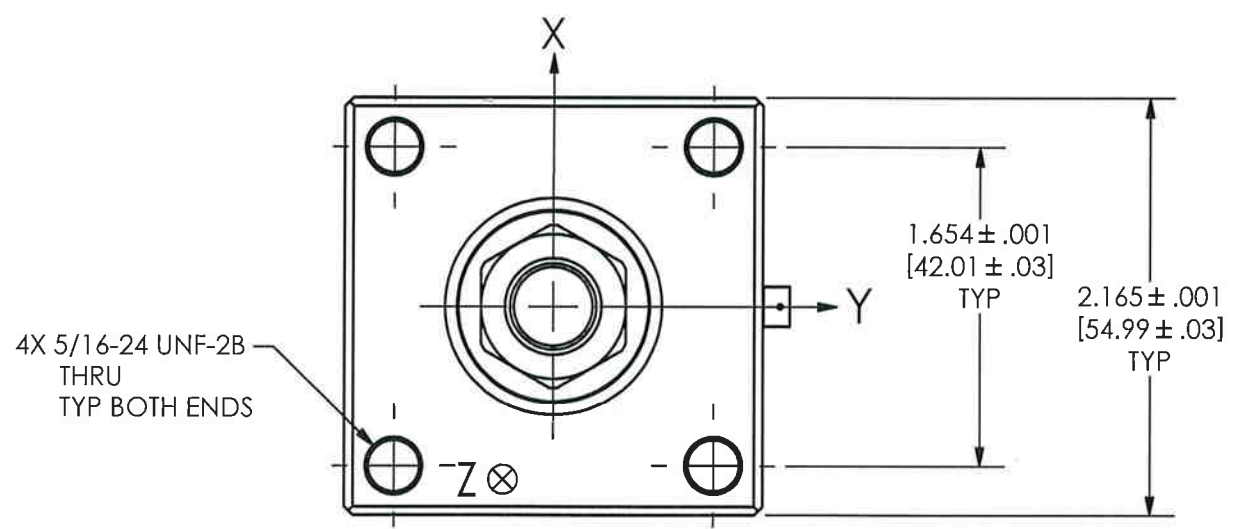


29369

PCB Piezotronics Inc. claims proprietary rights in the information disclosed hereon. Neither it nor any reproduction thereof will be disclosed to others without the written consent of PCB Piezotronics Inc.

REVISIONS		
REV	DESCRIPTION	ECO
B	UPDATED GRINDING DIMENSION	25375
C	CORRECTED CONNECTOR CALL OUT	30053



UNLESS OTHERWISE SPECIFIED TOLERANCES ARE:		DRAWN	SMB	2/9/09	MFG	JF	11/21/06	 PCB PIEZOTRONICS [™] 3425 WALDEN AVE. DEPEW, NY 14043 (716) 684-0001 E-MAIL: sales@pcb.com
DIMENSIONS IN INCHES	DIMENSIONS IN MILLIMETERS [IN BRACKETS]	CHK'D	Feb	2907	ENGR	NJL	2/4/09	
DECIMALS XX ± .03 XXX ± .010	DECIMALS X ± 0.8 XX ± 0.25	APP'D	EB	2/9/09	SALES	MFG	11/21/06	
ANGLES ± 2 DEGREES	ANGLES ± 2 DEGREES	TITLE						
FILLETS AND RADII .003 - .005	FILLETS AND RADII [0.07 - 0.13]	OUTLINE DRAWING MODEL 261A02 TRIAXIAL FORCE SENSOR						CODE IDENT. NO. 52681 DWG. NO. 29369
								SCALE: FULL SHEET 1 OF 1