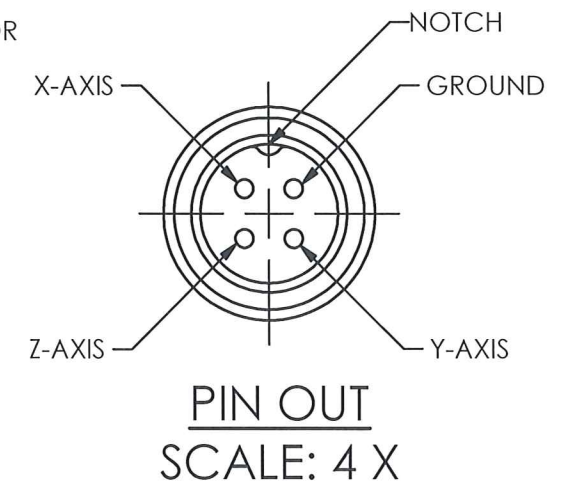
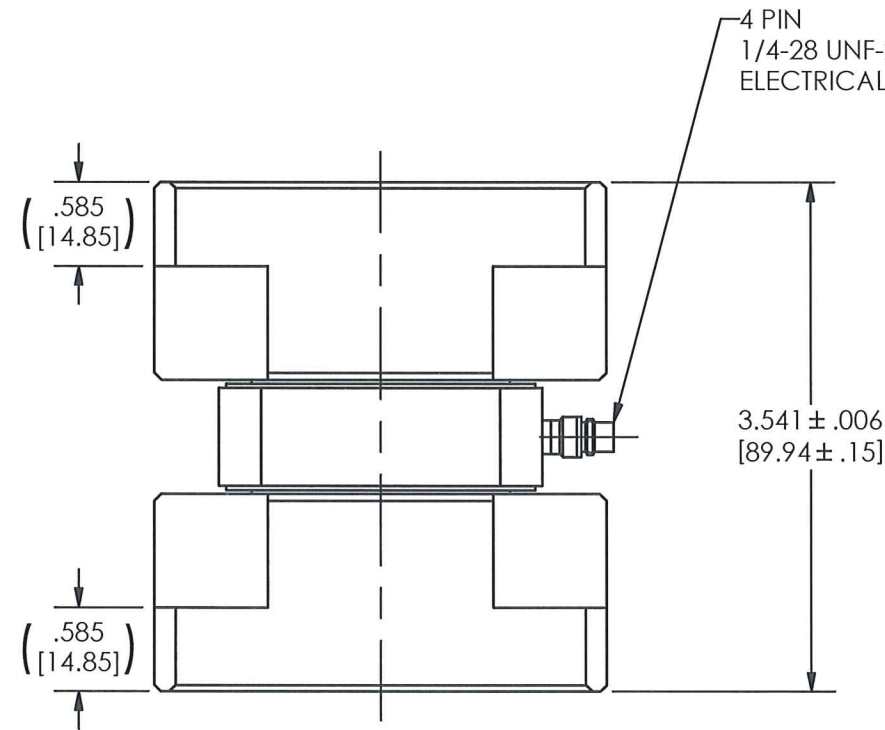
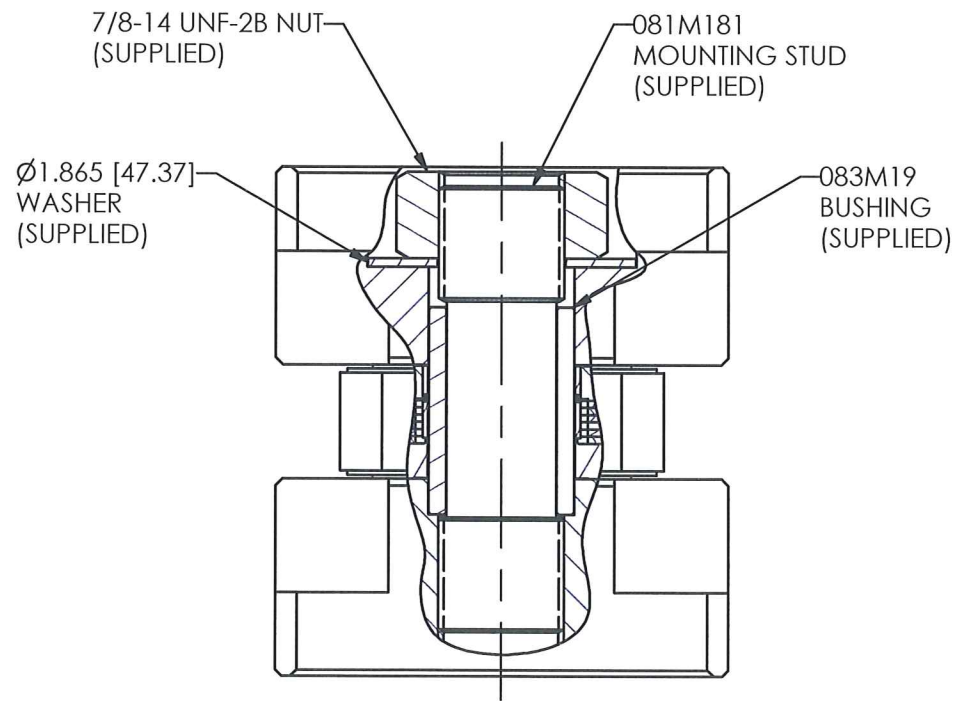
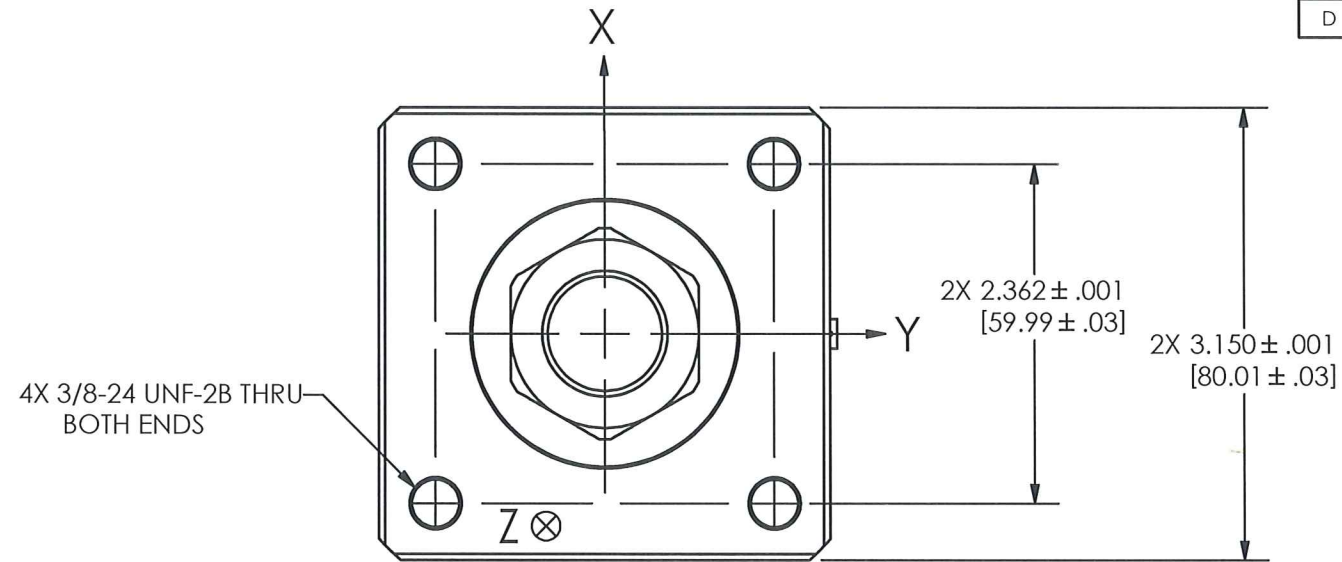


PCB Piezotronics Inc. claims proprietary rights in the information disclosed hereon. Neither it nor any reproduction thereof will be disclosed to others without the written consent of PCB Piezotronics Inc.

28786

REVISIONS		
REV	DESCRIPTION	DIN
D	UPDATE SUPPLIED NUT CALLOUT	37815



UNLESS OTHERWISE SPECIFIED TOLERANCES ARE:		DRAWN	CHECKED	ENGINEER	 3425 WALDEN AVE. DEPEW, NY 14043 (716) 684-0001 E-MAIL: sales@pcb.com
DIMENSIONS IN INCHES	DIMENSIONS IN MILLIMETERS [IN BRACKETS]	MDP 12/2/11	ECB 12/2/11	BM 12/2/11	
DECIMALS XX ±.03 XXX ±.010	DECIMALS X ±0.8 XX ±0.25	TITLE			CODE IDENT. NO. 52681
ANGLES ± 2 DEGREES	ANGLES ± 2 DEGREES	OUTLINE DRAWING MODEL 261A03 TRIAxIAL FORCE SENSOR			DWG. NO. 28786
FILLETS AND RADII .003 - .005	FILLETS AND RADII 0.07 - 0.13				SCALE: .75X SHEET 1 OF 1