

27193

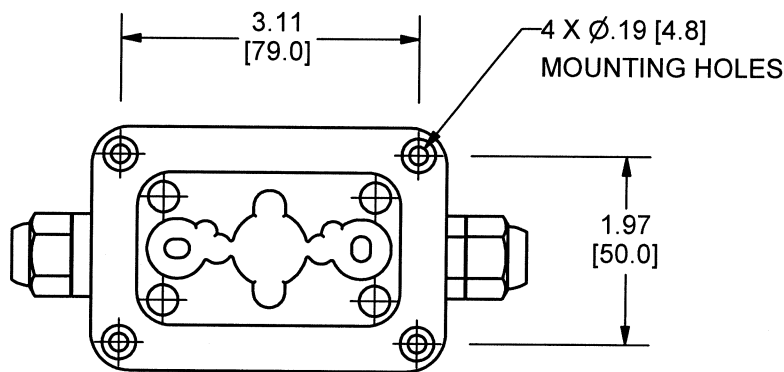
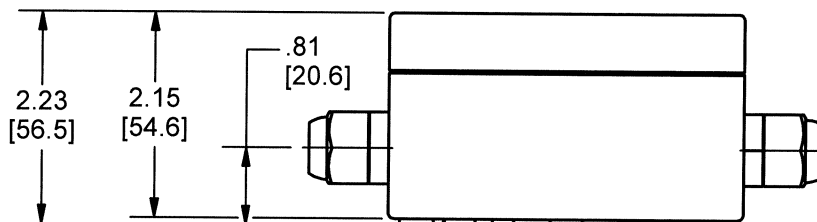
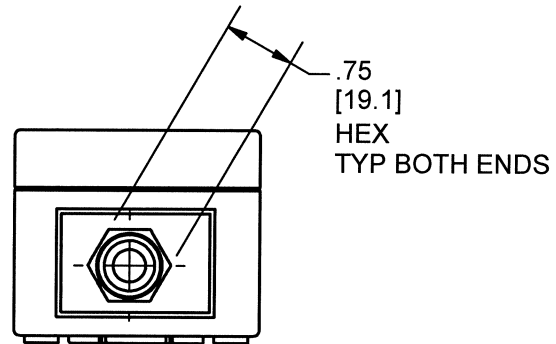
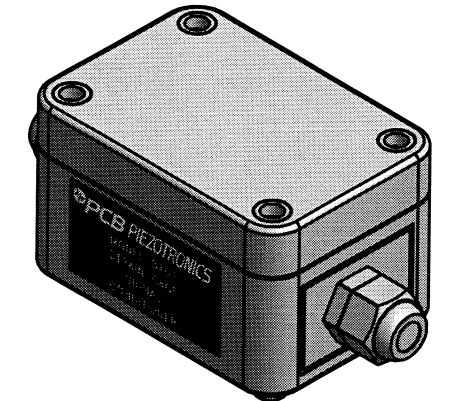
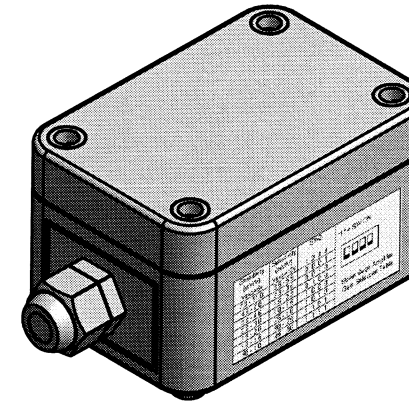
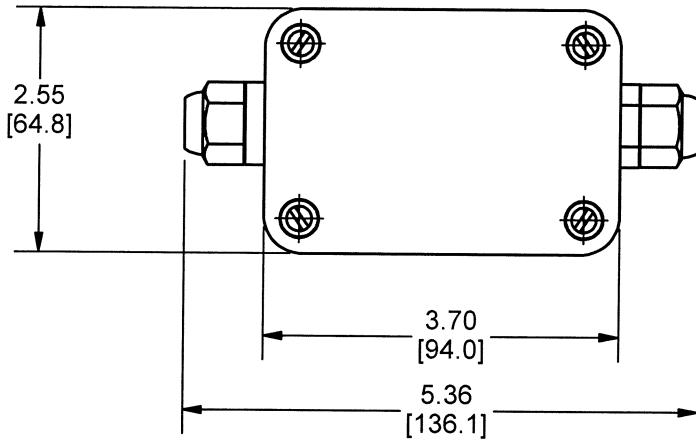
APPLICATION

NEXT ASS'Y	USED ON	VAR

PCB Piezotronics Inc. claims proprietary rights in the information disclosed hereon. Neither it nor any reproduction thereof will be disclosed to others without the written consent of PCB Piezotronics Inc.

REVISIONS

REV	DESCRIPTION	ECN	APP'D
NR	RELEASED TO DRAFTING		DM 8/07



UNLESS OTHERWISE SPECIFIED TOLERANCES ARE:

DIMENSIONS IN INCHES	DIMENSIONS IN MILLIMETERS [IN BRACKETS]
DECIMALS XX ± .01 XXX ± .005	DECIMALS X ± 0.3 XX ± 0.13
ANGLES ± 2 DEGREES	ANGLES ± 2 DEGREES
FILLETS AND RADII .003 - .005	FILLETS AND RADII [0.07 - 0.13]

DRAWN	DM 8/5/04	MFG	US 8/6/04
CHK'D	DM 8/6/04	ENGR	KE 8/6/04
APP'D	MSB 8/6/2004	SALES	gdm 8/6/04

PCB PIEZOTRONICS
3425 WALDEN AVE. DEPEW, NY 14043
(716) 684-0001 E-MAIL: sales@pcb.com

TITLE
**OUTLINE DRAWING
MODEL 8162
SIGNAL CONDITIONER**

CODE IDENT. NO. 52681	DWG. NO. 27193
SCALE: FULL	SHEET 1 OF 1