

26832

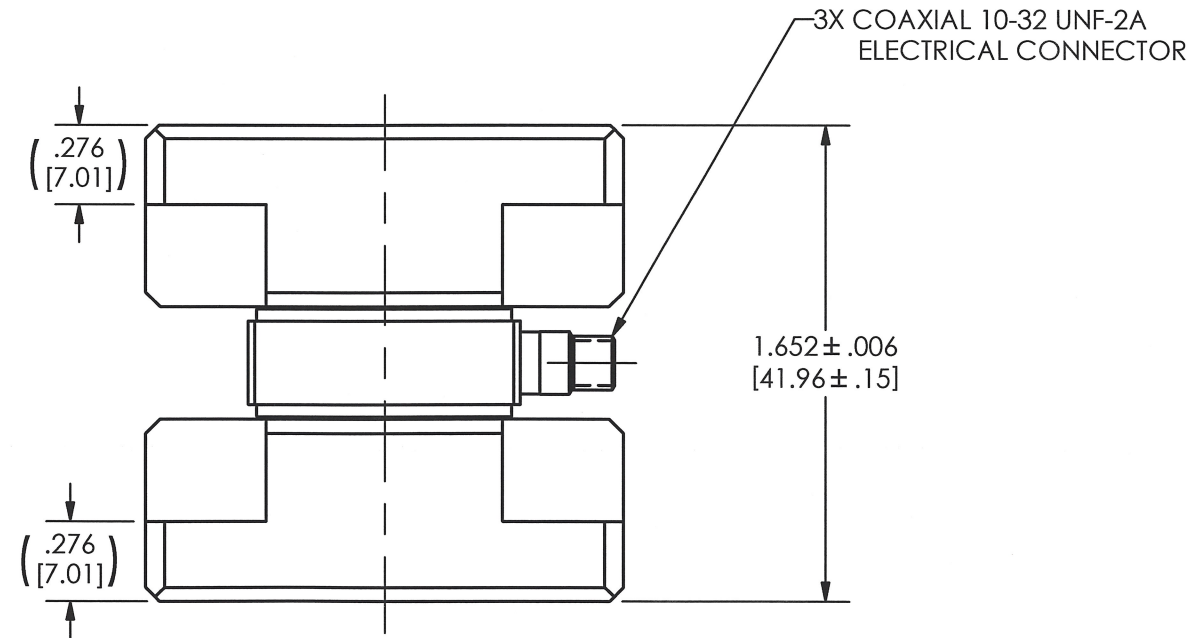
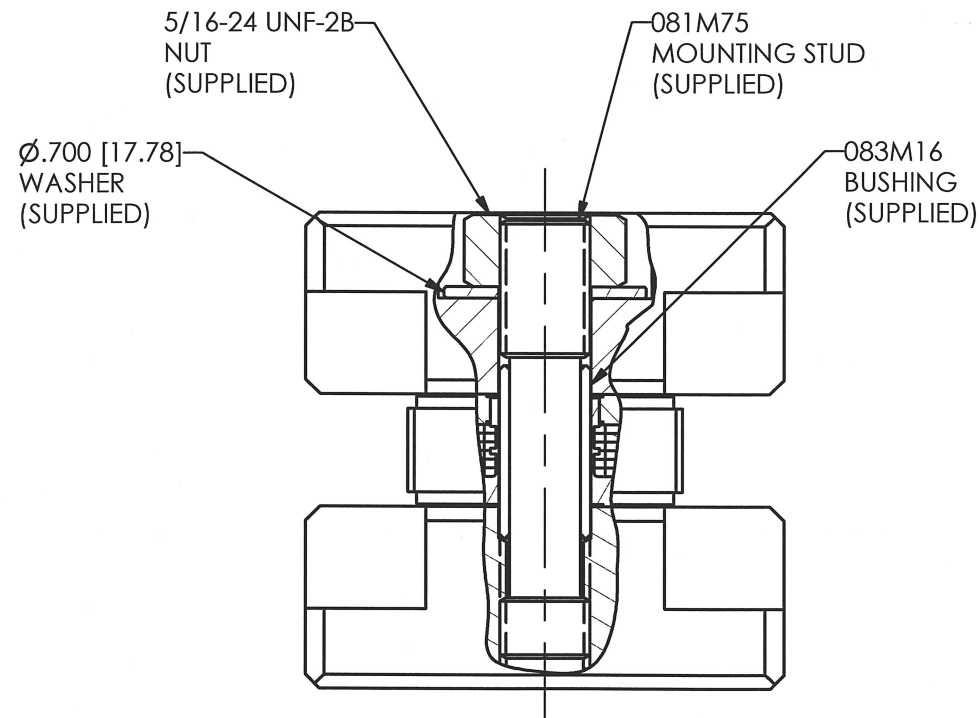
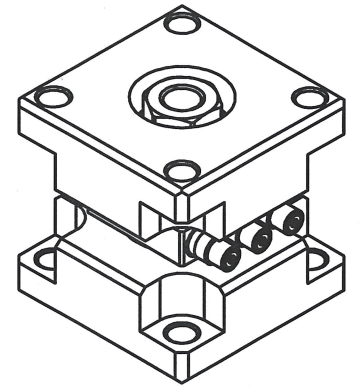
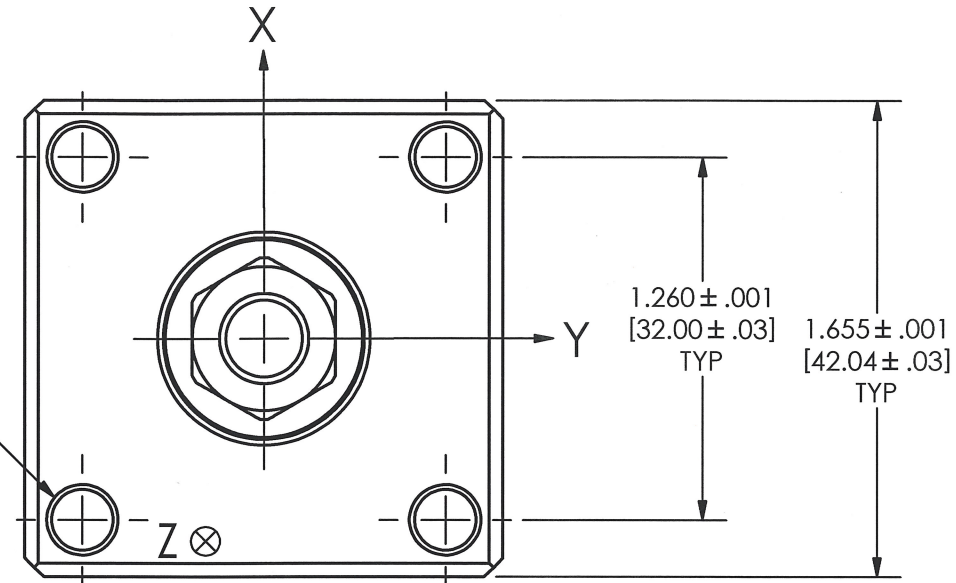
APPLICATION

NEXT ASS'Y	USED ON	VAR

PCB Piezotronics Inc. claims proprietary rights in the information disclosed hereon. Neither it nor any reproduction thereof will be disclosed to others without the written consent of PCB Piezotronics Inc.

REVISIONS

REV	DESCRIPTION	ECN	APP'D
A	UPDATE DRAWING	24517	ECB 7/06
B	UPDATE GRINDING DIMENSION	25375	ECB 11/20 ^{old}



UNLESS OTHERWISE SPECIFIED TOLERANCES ARE:

DIMENSIONS IN INCHES	DIMENSIONS IN MILLIMETERS [IN BRACKETS]
DECIMALS XX ± .03 XXX ± .010	DECIMALS X ± 0.8 XX ± 0.25
ANGLES ± 2 DEGREES	ANGLES ± 2 DEGREES
FILLETS AND RADII .003 - .005	FILLETS AND RADII [0.07 - 0.13]

DRAWN	MFC	11/17/06	MFG	J.E.	11/21/06
CHK'D	ECB	11/20/06	ENGR	DUB	11/21/06
APP'D	MFC	11/21/06	SALES	MFC	11/21/06

TITLE
OUTLINE DRAWING
MODEL 261A11
TRIAxIAL FORCE SENSOR



3425 WALDEN AVE. DEPEW, NY 14043
 (716) 684-0001 E-MAIL: sales@pcb.com

CODE IDENT. NO. 52681	DWG. NO. 26832
SCALE: 1.5 X	SHEET 1 OF 1