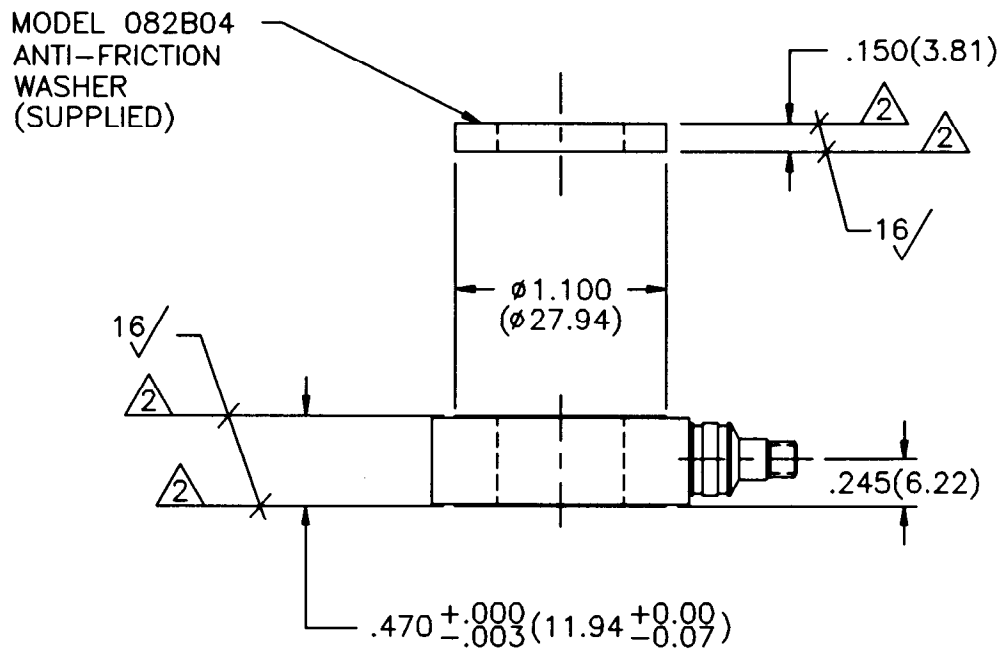
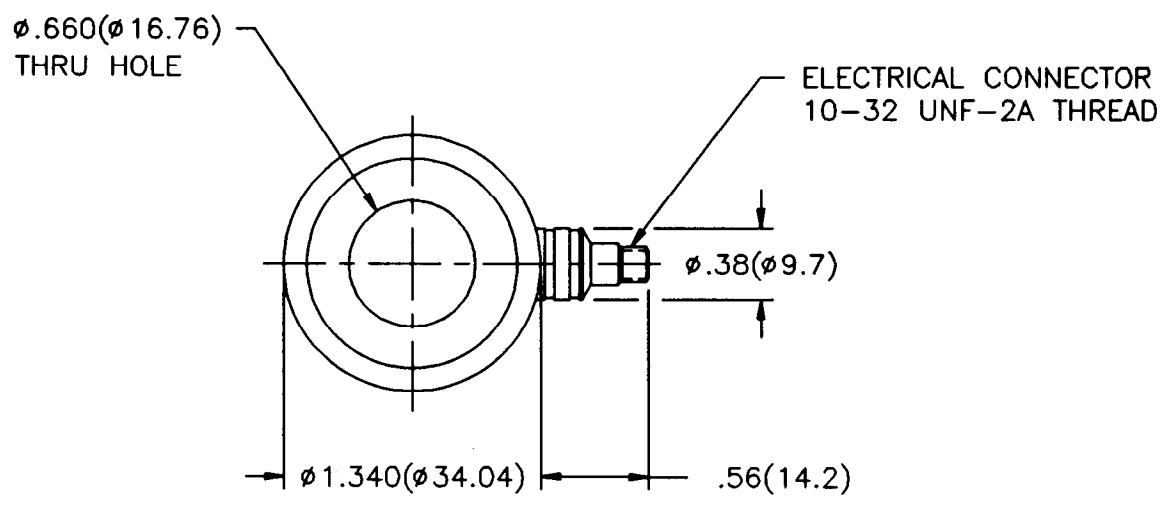


214-2010-90

APPLICATION		
NEXT ASS'Y	USED ON	VAR

REVISIONS				
REV	DESCRIPTION	ECN	DATE	APP'D



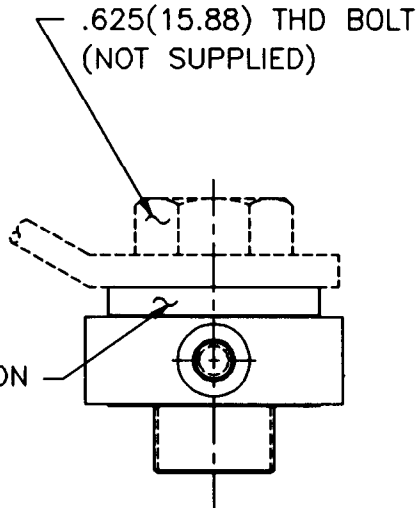
$\triangle$  THESE SURFACES TO BE FLAT AND PARALLEL TO WITHIN .001(0.03) TIR.  
 1.) SEE SHEET TWO FOR MOUNTING INSTRUCTIONS.

UNLESS SPECIFIED TOLERANCES		DRAWN	CMP	2/10/94	MFG	RJA	3/3/94	<b>PCB</b> PIEZOTRONICS, INC. 3425 WALDEN AVE. DEPEW, NEW YORK 14043 PHONE: (716) 684-0001
DIMENSIONS IN INCHES	DIMENSIONS IN MILLIMETERS (IN PARENTHESIS)	CHK'D	DM	2/19/94	ENGR	SE	3/1/94	
DECIMALS XX ± .01 XXX ± .005	DECIMALS X ± 0.3 XX ± 0.13	APP'D	AS	3/9/94	Sales	SEL	3/9/94	
ANGLES ± 2 DEGREES	ANGLES ± 2 DEGREES	TITLE INSTALLATION DRAWING MODEL 214B FORCE RING						
FILLETS AND RADII .003 - .005 (0.07 - 0.13)		CODE IDENT. NO.		52681		DWG. NO.		214-2010-90
		SCALE:		FULL		SHEET 1 OF 2		

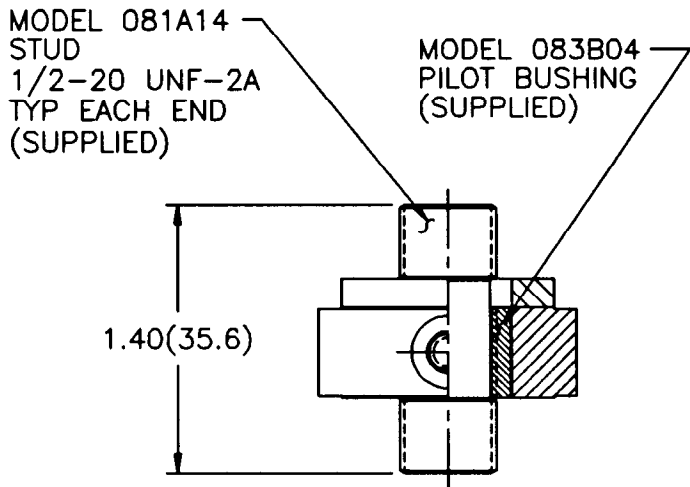
214-2010-90

APPLICATION		
NEXT ASS'Y	USED ON	VAR

REVISIONS				
REV	DESCRIPTION	ECN	DATE	APP'D
	- SEE SHEET ONE -			

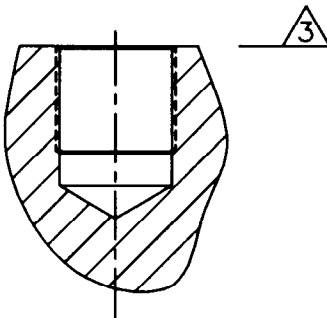


TYP BOLT MOUNTING  
INSTALLATION

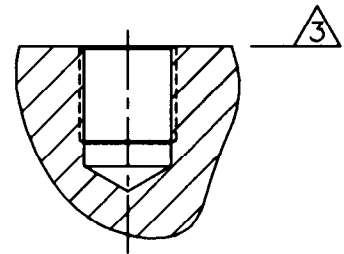


TYP STUD MOUNTING  
INSTALLATION

DRILL & TAP  $\triangle 4$   
AS REQUIRED  
FOR .625(15.88)  
THD BOLT



DRILL  $\phi .453(\phi 11.51)$   $\triangle 4$   
X .62(15.8)  $\nabla$   
TAP 1/2-20 UNF-2B  
X .50(12.7)  $\nabla$   
PERFECT THREAD



5.) SEE MANUAL FOR PRELOAD INSTRUCTIONS.

$\triangle 4$  DRILL PERPENDICULAR TO MOUNTING SURFACE TO WITHIN  $\pm .001^\circ$ .

$\triangle 3$  MOUNTING SURFACE UNDER FORCE RING MUST BE FLAT WITHIN .001(0.03) TIR WITH A 63/ (1.6/) FINISH.

UNLESS SPECIFIED TOLERANCES		DRAWN	CMP	2/4/94	MFG	RJD	3/5/94	<b>PCB</b> PIEZOTRONICS, INC. 3425 WALDEN AVE. DEPEW, NEW YORK 14043 PHONE: (716) 684-0001
DIMENSIONS IN INCHES	DIMENSIONS IN MILLIMETERS (IN PARENTHESIS)	CHK'D	DM	2/19/94	ENGR	PC	3/4/94	
DECIMALS XX $\pm .01$ XXX $\pm .005$	DECIMALS X $\pm 0.3$ XX $\pm 0.13$	APP'D	RJS	3/9/94	Sides	SGC	3/19/94	CODE IDENT. NO. 52681
ANGLES $\pm 2$ DEGREES	ANGLES $\pm 2$ DEGREES	TITLE					214-2010-90	
FILLETS AND RADII .003 - .005 (0.07 - 0.13)		INSTALLATION DRAWING MODEL 214B FORCE RING					SCALE: FULL	SHEET 2 OF 2