

200-2010-90

PCB Piezotronics Inc. claims proprietary rights in the information disclosed herein. Neither it nor any reproduction thereof will be disclosed to others without written consent of PCB Piezotronics Inc.

APPLICATION		
NEXT ASS'Y	USED ON	VAR

REVISIONS				
REV	DESCRIPTION	ECN	DATE	APP'D
J	ADD DIMENSION / MODEL	13993	9/5/01	<i>DM</i> 9/07

ELECTRICAL CONNECTOR
COAXIAL 10-32 UNF-2A

$\phi .250 (\phi 6.35)$

HEAT SHRINK GROOVES

.56 (14.2)

$\phi .650 (\phi 16.51)$

MODEL 084A83
IMPACT PAD
MATERIAL: RUBBER
(SUPPLIED)
USE OPTIONAL

$\phi .500 (\phi 12.70)$
TYP

SENSE AND DIRECTION OF
FORCE FOR POSITIVE
GOING OUTPUT VOLTAGE

.06 (1.5)

.178 (4.52)

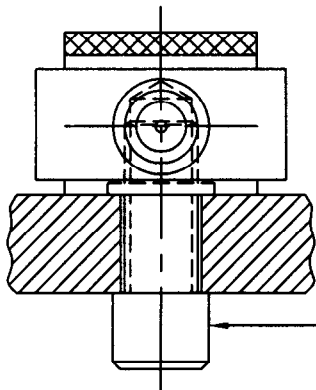
.360 $\pm .000$ ($9.14 \pm .00$)
 $\pm .003$ ($-.08$)

16 $\sqrt{(0.4)}$ $\Delta 1$

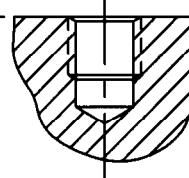
MODEL 081B05
MOUNTING STUD
10-32 UNF-2A
TYPICAL EACH END
(SUPPLIED)

10-32 UNF-2B
X .130 (3.30) ∇ PERF THD

.28 (7.1)



10-32 UNF-2A
CAP SCREW
(NOT SUPPLIED)



MOUNTING HOLE PREPARATION:

DRILL $\phi .159 (\phi 4.04)$ $\Delta 3$
X .23 (5.8) ∇ MIN.
TAP 10-32 UNF-2B
X .15 (3.8) ∇ MIN.

SCREW MOUNTING

STUD MOUNTING

4.) TIGHTEN CELL IN PLACE, TORQUING BY HAND ONLY. USE LOCTITE OR EQUIV. TO LOCK IN PLACE.

$\Delta 3$ DRILL PERPENDICULAR TO MOUNTING SURFACE WITHIN $\pm 1^\circ$.

$\Delta 2$ MOUNTING SURFACE SHOULD BE FLAT TO WITHIN .001 (.03) TIR OVER A $\phi .500 (\phi 12.70)$ WITH A MINIMUM 63 $\sqrt{(1.6)}$ FINISH FOR BEST RESULTS.

$\Delta 1$ THIS SURFACE FLAT TO WITHIN .001 (.03) TIR.

UNLESS SPECIFIED TOLERANCES

DIMENSIONS IN INCHES	DIMENSIONS IN MILLIMETERS (IN PARENTHESIS)
DECIMALS XX $\pm .01$	DECIMALS XX ± 0.3
XXX $\pm .005$	XXX ± 0.13
ANGLES ± 2 DEGREES	ANGLES ± 2 DEGREES

FILLETS AND RADII .003 - .005	FILLETS AND RADII (0.07 - 0.13)
----------------------------------	------------------------------------

DD011 REV. B 03/13/98

DRAWN	<i>DM</i> 9/5/01	MFG	<i>JS</i> 9/5/01
CHK'D	<i>DM</i> 9/5/01	ENGR	<i>TAB</i> 9/5/01
APP'D	<i>DM</i> 9/5/01		<i>DM</i> 9/5/01

TITLE
INSTALLATION DRAWING
MODELS 200B01,B02,B03,B04,B05
IMPACT FORCE CELL

PCB PIEZOTRONICS
3425 WALDEN AVE. DEPEW, NY 14043
(716) 684-0001 EMAIL: SALES@PCB.COM

CODE
IDENT. NO. 52681

DWG. NO.
200-2010-90

SCALE: 2 X SHEET 1 OF 1