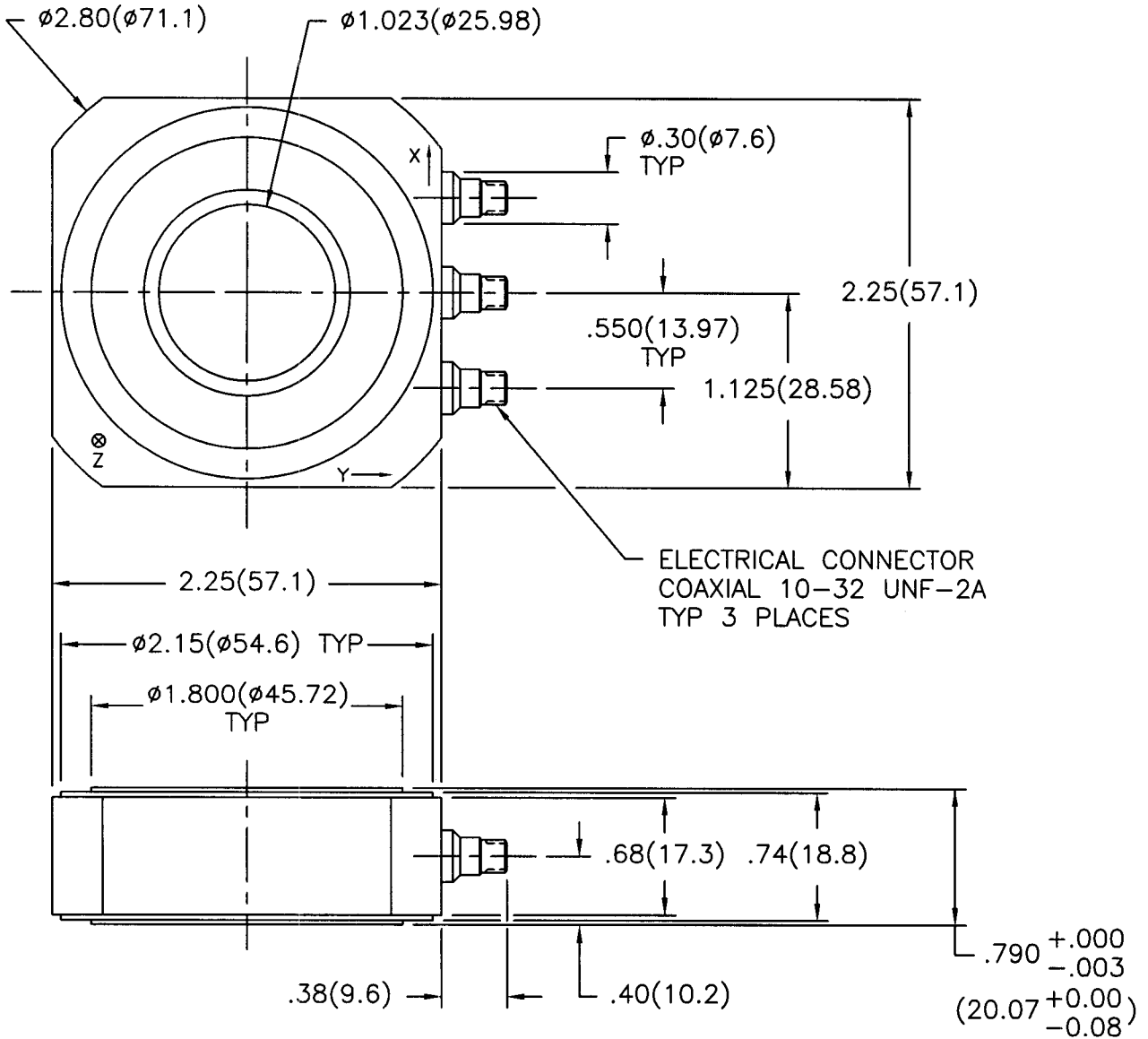


18698

PCB Piezotronics Inc. claims proprietary rights in the information disclosed herein. Neither it nor any reproduction thereof will be disclosed to others without written consent of PCB Piezotronics Inc.

APPLICATION		
NEXT ASS'Y	USED ON	VAR

REVISIONS				
REV	DESCRIPTION	ECN	DATE	APP'D
A	REVISED PER ECR	15072	3/22/02	
B	UPDATE TITLE	15770	8/1/02	<i>W. M. J.</i>



1.) SEE SHEETS 2 AND 3 FOR STANDARD AND METRIC MOUNTING INSTRUCTIONS.

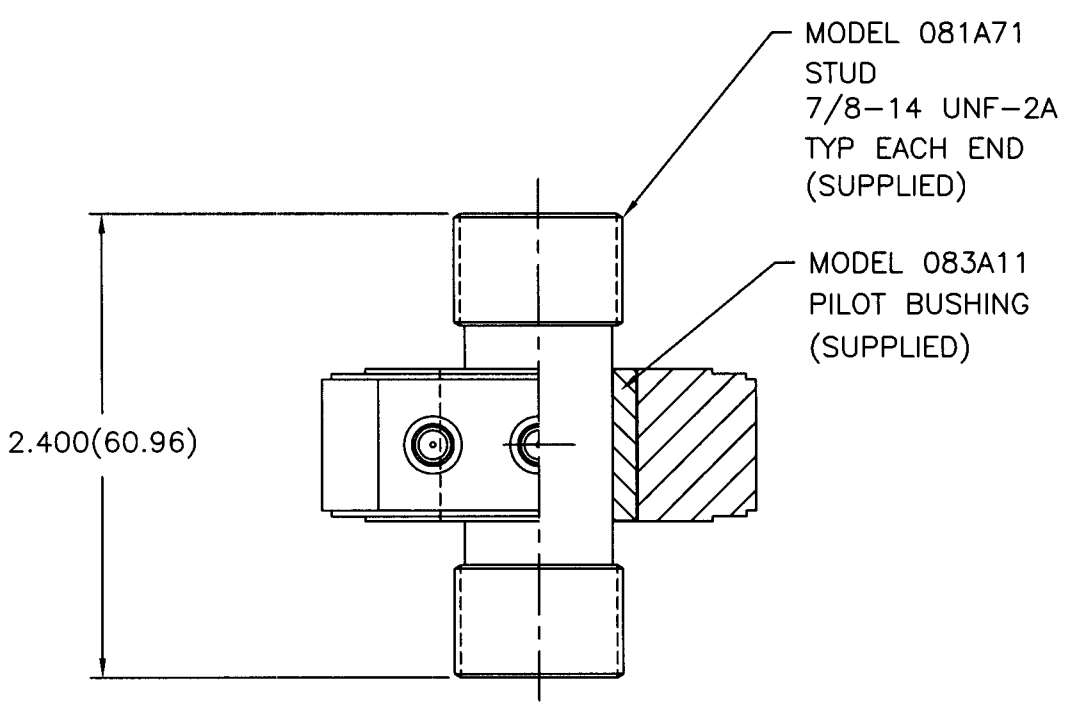
UNLESS SPECIFIED TOLERANCES		DRAWN				MFG		PCB PIEZOTRONICS™	
DIMENSIONS IN INCHES	DIMENSIONS IN MILLIMETERS (IN PARENTHESIS)	<i>DAM</i>	<i>8/1/02</i>	ENGR	<i>JRS</i>	<i>8/2/02</i>	3425 WALDEN AVE. DEPEW, NY 14043 (716) 684-0001 EMAIL: SALES@PCB.COM		
DECIMALS XX ±.01	DECIMALS XX ±0.3	CHK'D	<i>am</i>	<i>8/2/02</i>	SALES	<i>LRS</i>	<i>8/2/02</i>	CODE IDENT. NO.	DWG. NO.
XXX ±.005	XXX ±0.13	APP'D	<i>am</i>	<i>8/2/02</i>	SALES	<i>MSD</i>	<i>8/5/02</i>	52681	18698
ANGLES ±2 DEGREES	ANGLES ±2 DEGREES	TITLE						SCALE: FULL	
FILLETS AND RADII .003 - .005	FILLETS AND RADII (0.07 - 0.13)	INSTALLATION DRAWING MODEL (M)260A13 TRIAxIAL FORCE SENSOR						SHEET 1 OF 3	
DD011 REV. B 03/13/98									

18698

PCB Piezotronics Inc. claims proprietary rights in the information disclosed hereon. Neither it nor any reproduction thereof will be disclosed to others without written consent of PCB Piezotronics Inc.

APPLICATION		
NEXT ASS'Y	USED ON	VAR

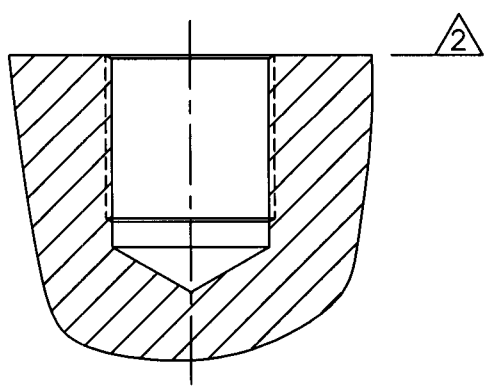
REVISIONS				
REV	DESCRIPTION	ECN	DATE	APP'D
	-SEE SHEET ONE-			



TYP STUD MOUNTING
INSTALLATION

MOUNTING HOLE PREPARATION:

- Ø.812(Ø20.62) $\triangle 3$
- X 1.000(25.40) ∇
- TAP 7/8-14 UNF-2B
- X .850(21.59) ∇
- PERFECT THREAD



- 4.) SEE MANUAL FOR PRELOAD INSTRUCTIONS.
- $\triangle 3$ DRILL PERPENDICULAR TO MOUNTING SURFACE TO WITHIN $\pm 1^\circ$.
- $\triangle 2$ MOUNTING SURFACE UNDER FORCE RING MUST BE FLAT WITHIN .001(0.03) TIR WITH A $32\sqrt{}$ (0.8 $\sqrt{}$) FINISH.

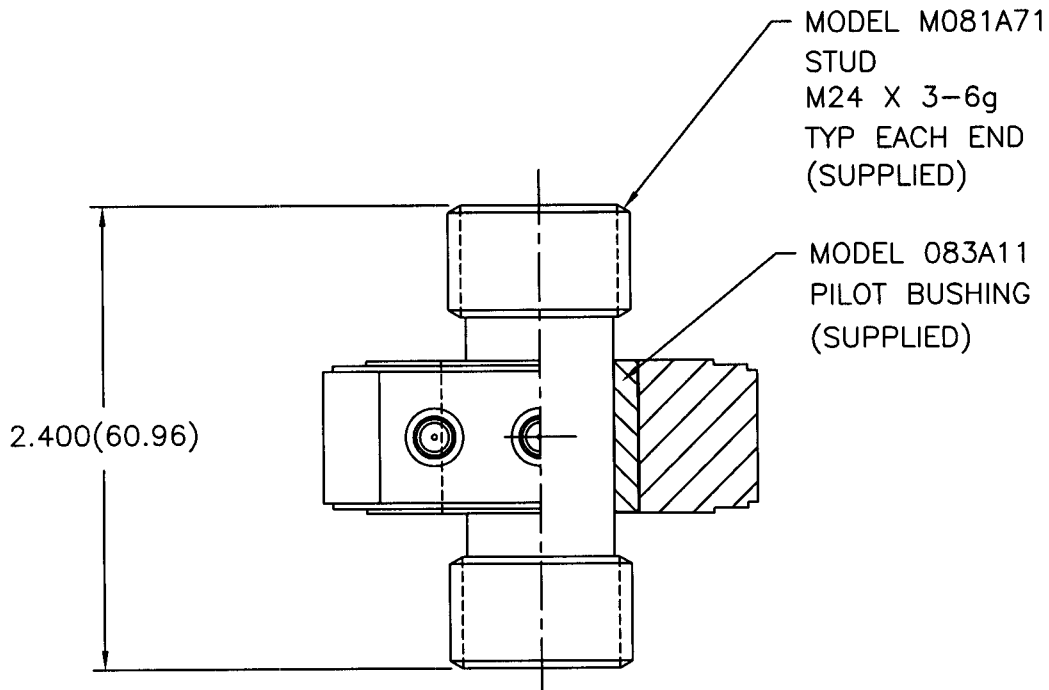
UNLESS SPECIFIED TOLERANCES		DRAWN	DAM 8/1/02	MFG	DBS 8/2/02	 3425 WALDEN AVE. DEPEW, NY 14043 (716) 684-0001 EMAIL: SALES@PCB.COM
DIMENSIONS IN INCHES	DIMENSIONS IN MILLIMETERS (IN PARENTHESIS)	CHK'D	DM 4/2/02	ENGR	RAB 8/2/02	
DECIMALS XX ± 0.01	DECIMALS XX ± 0.3	APP'D	JYC 8/2/02	SALES	MBD 8/5/02	CODE IDENT. NO. 52681
XXX ± 0.005	XXX ± 0.13	TITLE				DWG. NO. 18698
ANGLES ± 2 DEGREES	ANGLES ± 2 DEGREES	INSTALLATION DRAWING				SCALE: FULL
FILLETS AND RADII .003 - .005	FILLETS AND RADII (0.07 - 0.13)	MODEL 260A13				
DD011 REV. B 03/13/98		TRIAxIAL FORCE SENSOR				

18698

PCB Piezotronics Inc. claims proprietary rights in the information disclosed herein. Neither it nor any reproduction thereof will be disclosed to others without written consent of PCB Piezotronics Inc.

APPLICATION		
NEXT ASS'Y	USED ON	VAR

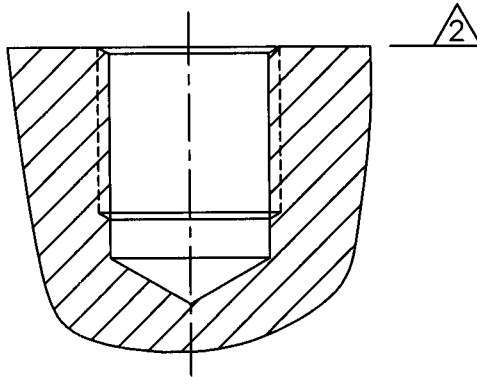
REVISIONS				
REV	DESCRIPTION	ECN	DATE	APP'D
	-SEE SHEET ONE-			



TYP STUD MOUNTING
INSTALLATION

MOUNTING HOLE PREPARATION:

- Ø.827(Ø21.00)
- X 1.102(28.00) ▽³
- TAP M24 X 3-6H
- X .866(22.00) ▽
- PERFECT THREAD



4.) SEE MANUAL FOR PRELOAD INSTRUCTIONS.

▽³ DRILL PERPENDICULAR TO MOUNTING SURFACE TO WITHIN ±1°.

▽² MOUNTING SURFACE UNDER FORCE RING MUST BE FLAT WITHIN .001(0.03) TIR WITH A 32/ (0.8/) FINISH.

UNLESS SPECIFIED TOLERANCES		DRAWN	DMM 8/1/02	MFG	BS 8/2/02	 3425 WALDEN AVE. DEPEW, NY 14043 (716) 684-0001 EMAIL: SALES@PCB.COM
DIMENSIONS IN INCHES	DIMENSIONS IN MILLIMETERS (IN PARENTHESIS)	CHK'D	DMM 8/2/02	ENGR	JAB 8/2/02	
DECIMALS XX ±.01 XXX ±.005	DECIMALS XX ±0.3 XXX ±0.13	APP'D	DMM 8/2/02	SALES	MBD 8/5/02	
ANGLES ±2 DEGREES	ANGLES ±2 DEGREES	TITLE		INSTALLATION DRAWING MODEL M260A13 TRIAXIAL FORCE SENSOR		CODE IDENT. NO. 52681
FILLET AND RADII .003 - .005	FILLET AND RADII (0.07 - 0.13)	DD011 REV. B 03/13/98		SCALE: FULL		DWG. NO. 18698
						SHEET 3 OF 3