

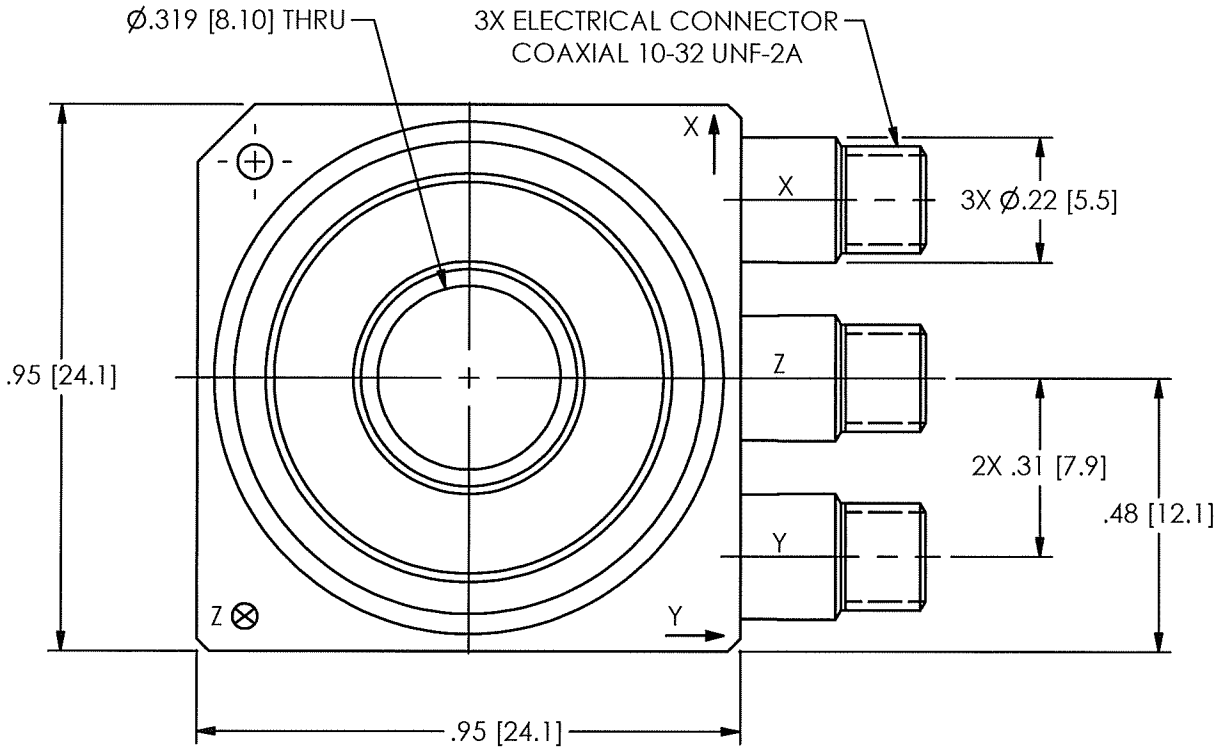
PCB Piezotronics Inc. claims proprietary rights in the information disclosed hereon. Neither it nor any reproduction thereof will be disclosed to others without the written consent of PCB Piezotronics Inc.

REVISIONS		
REV	DESCRIPTION	DIN
E	UPDATED ETCHING ON CONNECTORS	39702

10107

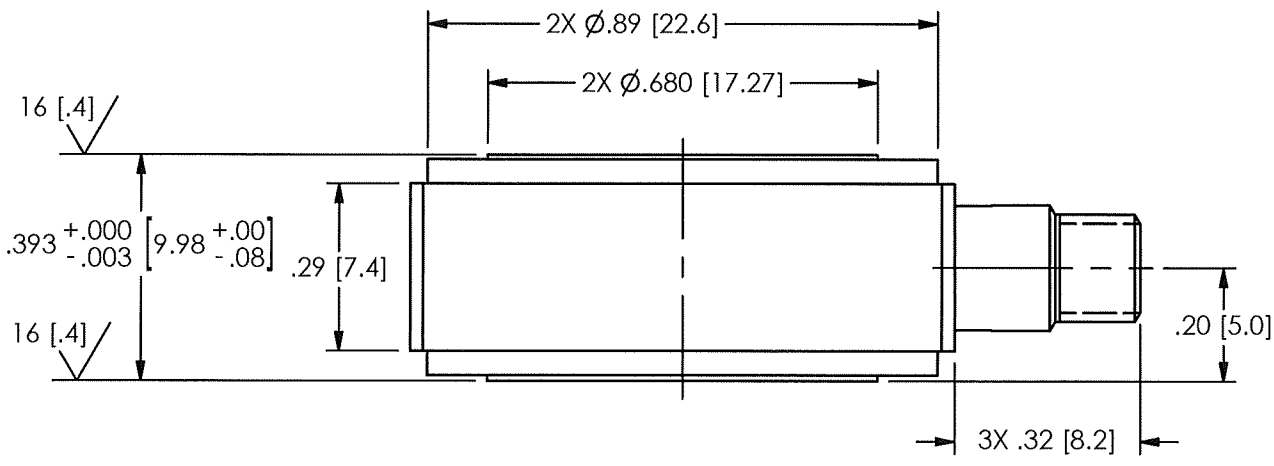
B

B



A

A



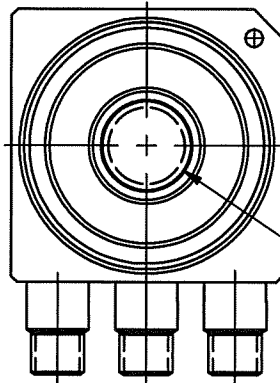
1.) SEE SHEET 2 AND 3 FOR STANDARD AND METRIC MOUNTING INSTRUCTIONS

UNLESS OTHERWISE SPECIFIED TOLERANCES ARE:		DRAWN		CHECKED		ENGINEER		PCB PIEZOTRONICS <sup>INC</sup>	
DIMENSIONS IN INCHES	DIMENSIONS IN MILLIMETERS [IN BRACKETS]	JDM	7/27/12	ECB	7/27/12	NJL	7/27/12	3425 WALDEN AVE. DEPEW, NY 14043 (716) 684-0001 E-MAIL: sales@pcb.com	
DECIMALS XX ±.01 XXX ±.005	DECIMALS X ±.03 XX ±.013	TITLE INSTALLATION DRAWING MODEL (M) 260A11 TRIAxIAL FORCE SENSOR						CODE IDENT. NO. 52681	DWG. NO. 10107
ANGLES ± 2 DEGREES	ANGLES ± 2 DEGREES							SCALE: 2X	SHEET 1 OF 3
FILLETS AND RADII .003 - .005	FILLETS AND RADII 0.07 - 0.13								

PCB Piezotronics Inc. claims proprietary rights in the information disclosed hereon. Neither it nor any reproduction thereof will be disclosed to others without the written consent of PCB Piezotronics Inc.

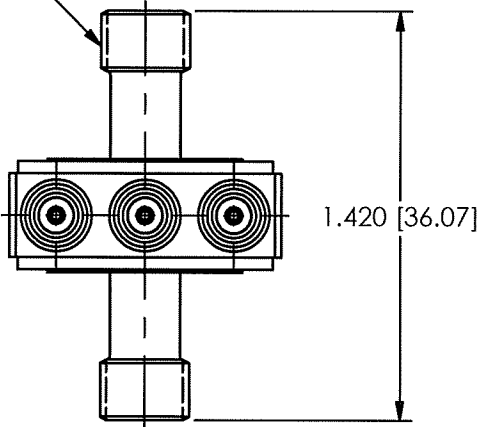
REVISIONS		
REV	DESCRIPTION	DIN
	-SEE SHEET ONE-	

10107



MODEL 083A10 PILOT BUSHING (SUPPLIED)

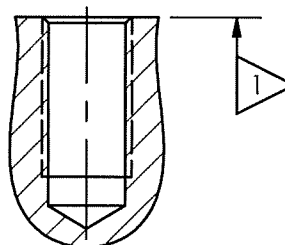
MODEL 081A70 STUD 5/16-24 UNF-2A TYP EACH END (SUPPLIED)



TYP STUD MOUNTING INSTALLATION

MOUNTING HOLE PREPARATION:


$\varnothing.272[\varnothing6.91]$   $\nabla.655[16.64]$  2  
 $5/16-24$  UNF-2B  $\nabla.555[14.10]$  1



3.) SEE MANUAL FOR PRELOAD INSTRUCTIONS

2 DRILL PERPENDICULAR TO MOUNTING SURFACE TO WITHIN  $\pm 1^\circ$

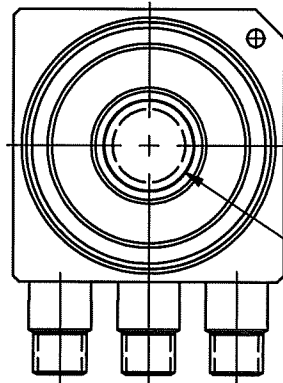
1 MOUNTING SURFACE UNDER FORCE RING MUST BE FLAT WITHIN  $\pm .001 [0.03]$  TIR WITH A  $32 [.8]$  ✓

UNLESS OTHERWISE SPECIFIED TOLERANCES ARE:		DRAWN	CHECKED	ENGINEER	 3425 WALDEN AVE. DEPEW, NY 14043 (716) 684-0001 E-MAIL: sales@pcb.com
DIMENSIONS IN INCHES	DIMENSIONS IN MILLIMETERS [IN BRACKETS]	JDM 7/27/12	ECB 7/27/12	NJL 7/27/12	
DECIMALS XX $\pm .01$ XXX $\pm .005$	DECIMALS X $\pm 0.3$ XX $\pm 0.13$	TITLE INSTALLATION DRAWING MODEL 260A11 TRIAXIAL FORCE SENSOR			CODE IDENT. NO. 52681
ANGLES $\pm 2$ DEGREES	ANGLES $\pm 2$ DEGREES				SCALE: 1.5X
FILLETS AND RADII .003 - .005	FILLETS AND RADII 0.07 - 0.13				

PCB Piezotronics Inc. claims proprietary rights in the information disclosed hereon. Neither it nor any reproduction thereof will be disclosed to others without the written consent of PCB Piezotronics Inc.

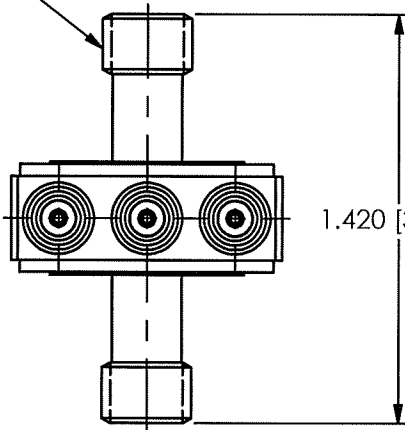
REVISIONS		
REV	DESCRIPTION	DIN
	-SEE SHEET ONE-	

10107



MODEL 083A10 PILOT BUSHING (SUPPLIED)

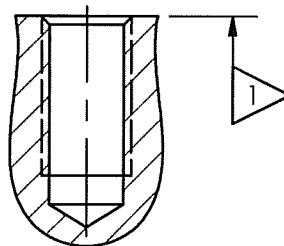
MODEL M081A70 STUD  
M8 X 1.25-6g  
TYP EACH END  
(SUPPLIED)



TYP STUD MOUNTING  
INSTALLATION

MOUNTING HOLE PREPARATION:

Ø.266[Ø6.80]  $\nabla$ .655[16.64]  $\nabla$  2  
M8 X 1.25-6H  $\nabla$ .555[14.10]  $\nabla$  1



3.) SEE MANUAL FOR PRELOAD INSTRUCTIONS

$\nabla$  2 DRILL PERPENDICULAR TO MOUNTING SURFACE TO WITHIN  $\pm 1^\circ$

$\nabla$  1 MOUNTING SURFACE UNDER FORCE RING MUST BE FLAT WITHIN  $\pm .001$  [0.03] TIR WITH A  $32 \sqrt{.8}$

UNLESS OTHERWISE SPECIFIED TOLERANCES ARE:		DRAWN		CHECKED		ENGINEER			
DIMENSIONS IN INCHES	DIMENSIONS IN MILLIMETERS [IN BRACKETS]	JDM	7/27/12	ECB	7/27/12	NJL	7/27/12		
DECIMALS XX $\pm .01$ XXX $\pm .005$	DECIMALS X $\pm 0.3$ XX $\pm 0.13$	TITLE INSTALLATION DRAWING MODEL M260A11 TRIAXIAL FORCE SENSOR						 3425 WALDEN AVE. DEPEW, NY 14043 (716) 684-0001 E-MAIL: sales@pcb.com	
ANGLES $\pm 2$ DEGREES	ANGLES $\pm 2$ DEGREES							CODE IDENT. NO. 52681	DWG. NO. 10107
FILLETS AND RADII .003 - .005	FILLETS AND RADII 0.07 - 0.13	SCALE: 1.5X		SHEET 3 OF 3					