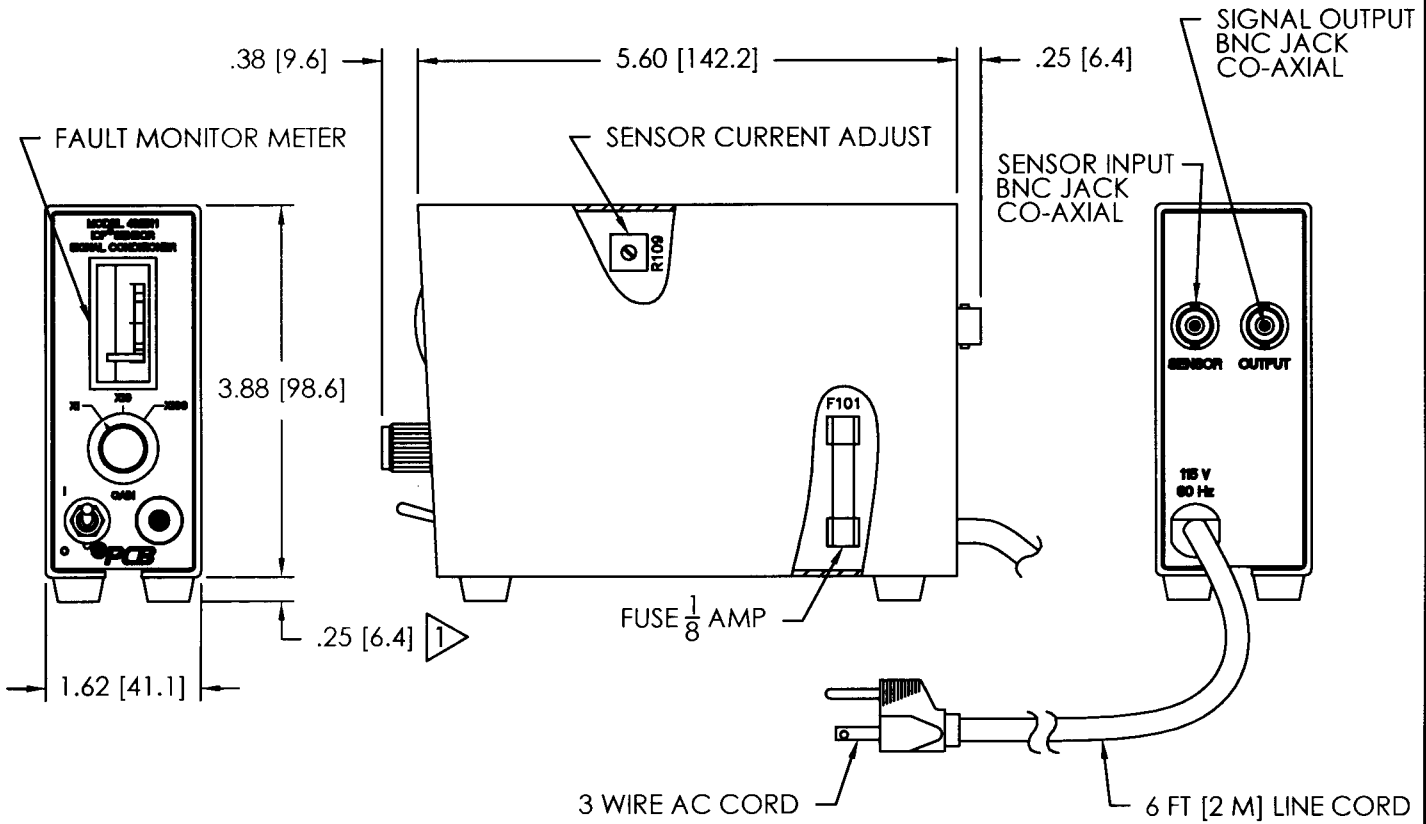


482-2110-95

PCB Piezotronics Inc. claims proprietary rights in the information disclosed hereon. Neither it nor any reproduction thereof will be disclosed to others without written consent of PCB Piezotronics Inc.

REVISIONS			
REV	DESCRIPTION	ECN	APP'D
NR	RELEASED TO DRAFTING		DM 11-92
A	UPDATED ARTWORK	28210	



1 EXTERNAL COVER MAY BE REMOVED BY REMOVING SCREWS IN RUBBER FEET.

UNLESS SPECIFIED TOLERANCES		DRAWN	SMB	3/7/08	MFG	NSC	2/13/08
DIMENSIONS IN INCHES	DIMENSIONS IN MILLIMETERS (IN BRACKETS)	CHK'D			ENGR	CPH	1/29/08
DECIMALS XX ±.03 XXX ±.010	DECIMALS X ±0.8 XX ±0.25	APP'D	EB	2/3/08	SALES	JJM	3/7/08
ANGLES ±2 DEGREES	ANGLES ±2 DEGREES	TITLE					
FILLETS AND RADII .003 - .005	FILLETS AND RADII [0.07 - 0.13]	OUTLINE DRAWING MODEL 482B11 ICP POWER SUPPLY					
DD011 REV. D 01/17/08		CODE IDENT. NO. 52681		DWG. NO. 482-2110-95		SCALE: .5X SHEET 1 OF 1	

PCB PIEZOTRONICS
3425 WALDEN AVE. DEPEW, NY 14043
(716) 684-0001 EMAIL: SALES@PCB.COM