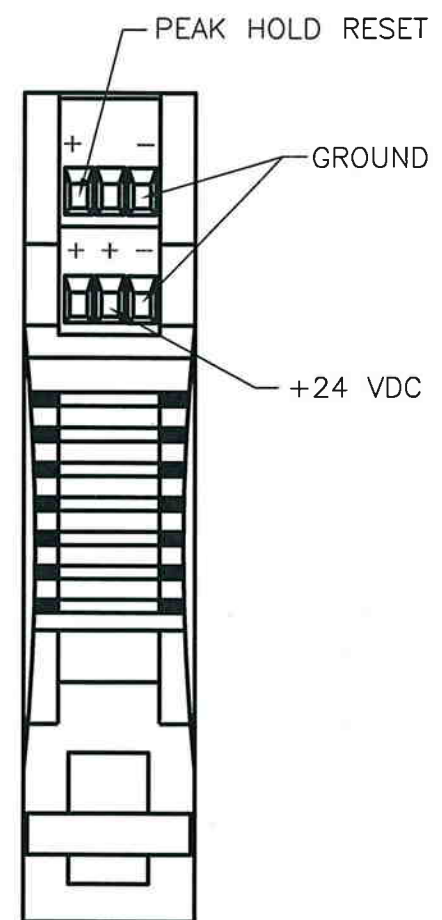
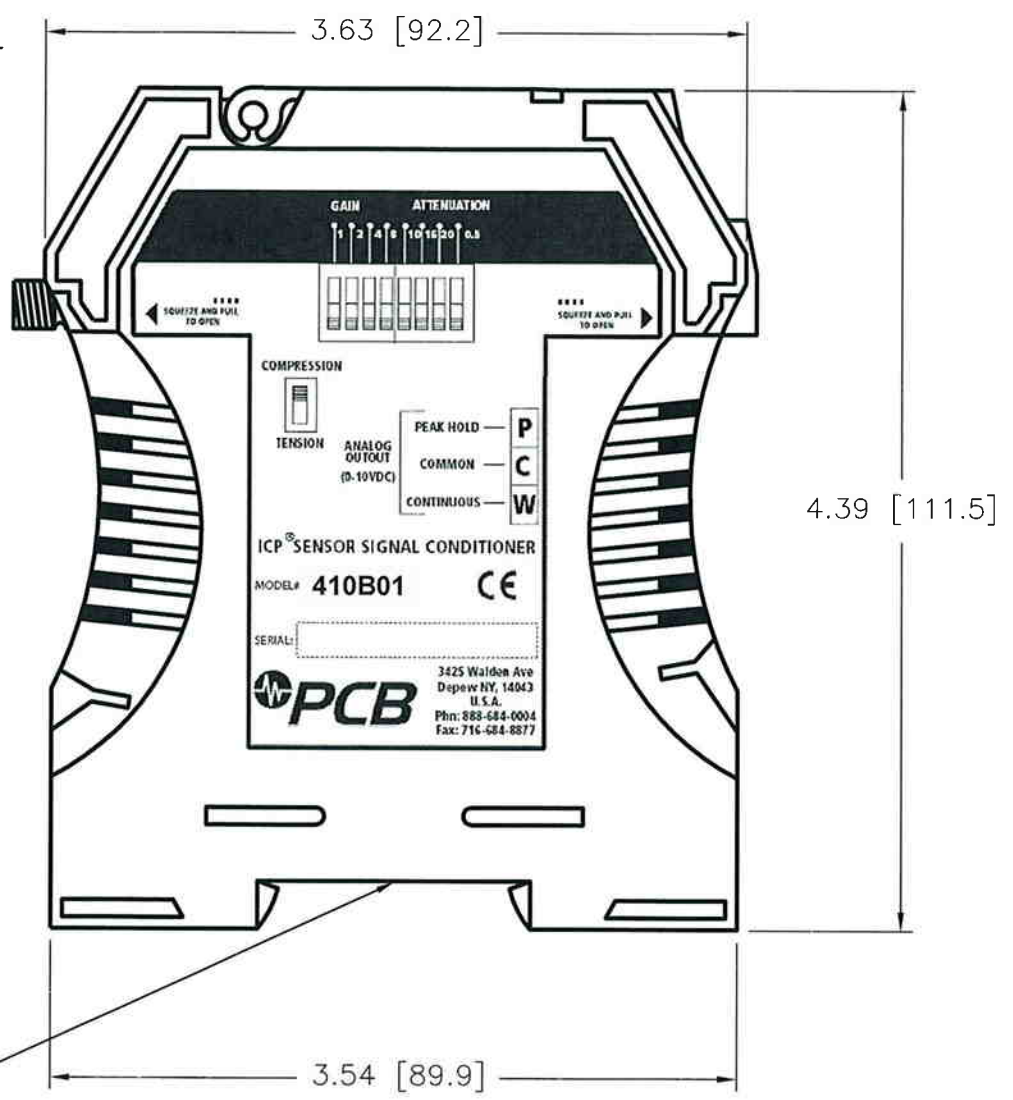
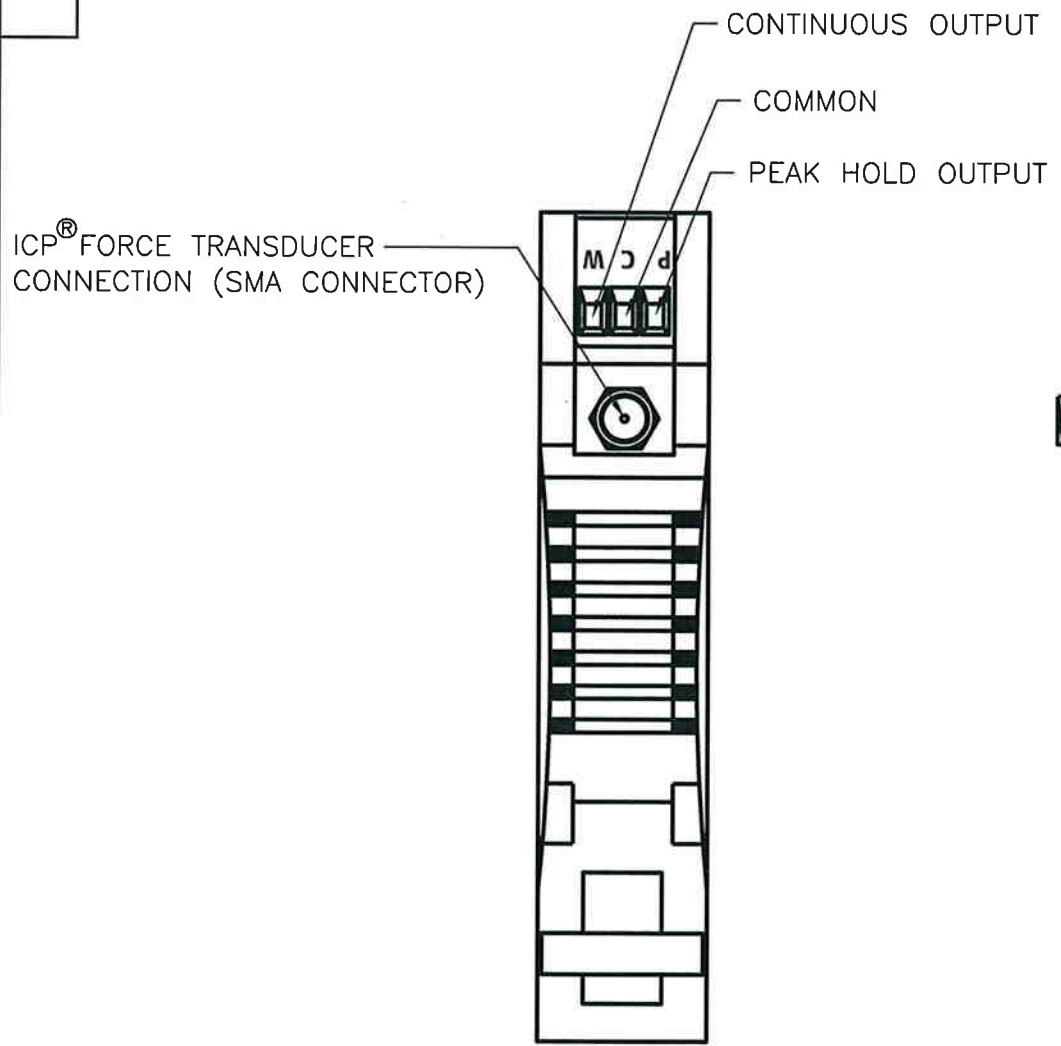
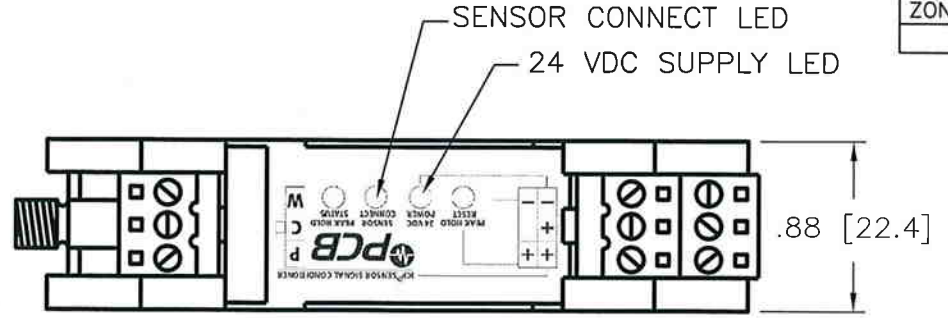


APPLICATION		
NEXT ASS'Y	USED ON	VAR
	410B01	

PCB Piezotronics Inc. claims proprietary rights in the information disclosed hereon. Neither it nor any reproduction thereof will be disclosed to others without written consent of PCB Piezotronics Inc.

REVISIONS					
ZONE	REV	DESCRIPTION	ECN	DATE	APP'D
	NR	RELEASED TO DRAFTING			<i>ems/la</i>



UNLESS SPECIFIED TOLERANCES				DRAWN		MFG		PCB PIEZOTRONICS	
DIMENSIONS IN INCHES	DIMENSIONS IN MILLIMETERS	DECIMALS XX ±.03	DECIMALS X ±0.8	CHK'D	DATE	ENGR	DATE	3425 WALDEN AVE. DEPEW, NY 14043	
XXX ±.010	XX ±0.25	ANGLES ±2 DEGREES	ANGLES ±2 DEGREES	APP'D	DATE	SALES	DATE	(716) 684-0001 EMAIL: SALES@PCB.COM	
FILLETS AND RADII .003 - .005	FILLETS AND RADII [0.07 - 0.13]	TITLE		OUTLINE DRAWING		CODE		DWG. NO.	
DD012 REV. C 01/21/03		DIN RAIL SIGNAL CONDITIONER		MODEL 410B01		IDENT. NO. 52681		39998	
						SCALE: FULL		SHEET 1 OF 1	