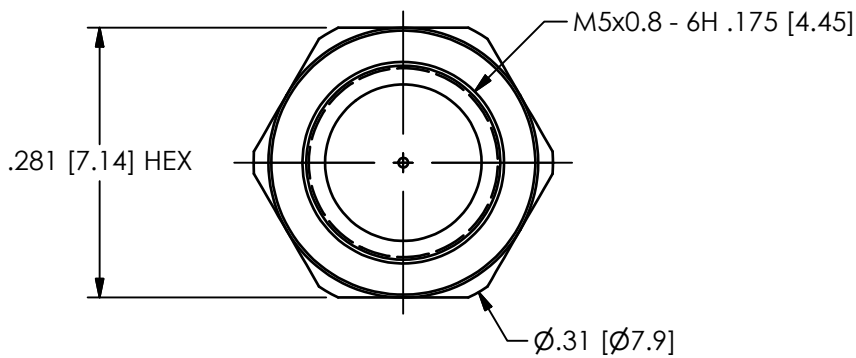
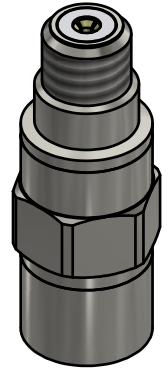
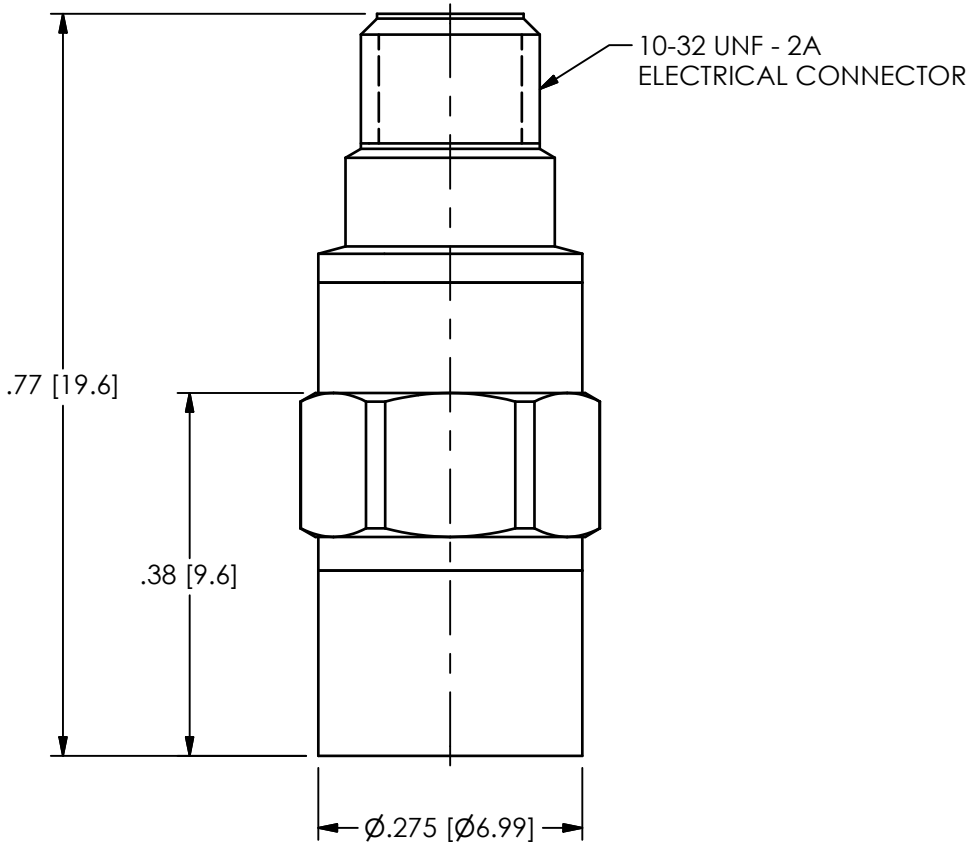


PCB Piezotronics Inc. claims proprietary rights in the information disclosed hereon. Neither it nor any reproduction thereof will be disclosed to others without the written consent of PCB Piezotronics Inc.

REVISIONS		
REV	DESCRIPTION	DIN
A	UPDATED THREAD DEPTH CALLOUT	53478

76142



UNLESS OTHERWISE SPECIFIED TOLERANCES ARE:		DRAWN		CHECKED		ENGINEER		PCB PIEZOTRONICS AN AMPHENOL COMPANY 3425 WALDEN AVE. DEPEW, NY 14043 (716) 684-0001 E-MAIL: sales@pcb.com
DIMENSIONS IN INCHES	DIMENSIONS IN MILLIMETERS [IN BRACKETS]	JJF	12/22/22	JJF	12/22/22	KDW	12/22/22	
DECIMALS XX \pm .03 XXX \pm .010	DECIMALS X \pm 0.8 XX \pm 0.25	TITLE						
ANGLES \pm 2 DEGREES	ANGLES \pm 2 DEGREES							
CABLE TOLERANCES IN ENGLISH	CABLE TOLERANCES IN METRIC	OUTLINE DRAWING ACCELEROMETER						CODE IDENT. NO. 52681
1" \leq LENGTH < 1' = +1" / - 0 1' \leq LENGTH < 5' = +2" / - 0 5' \leq LENGTH < 100' = +6" / - 0 100' \leq LENGTH = +1' / - 0	2.54cm \leq LENGTH < 30.5cm = +2.54cm / - 0 30.5cm \leq LENGTH < 1.5m = +5.1cm / - 0 1.5m \leq LENGTH < 30.5m = +15.2cm / - 0 30.5m \leq LENGTH = +30.5cm / - 0							DWG. NO. 76142
FILLETS AND RADII .003 - .005	FILLETS AND RADII 0.07 - 0.13	SCALE: 5X		SHEET 1 OF 1				