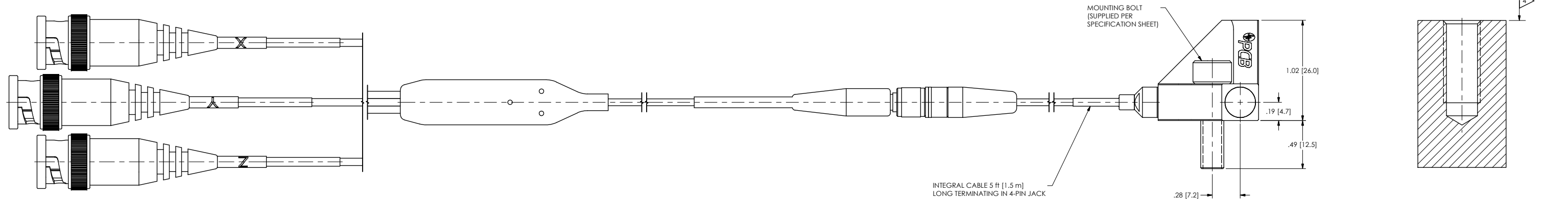
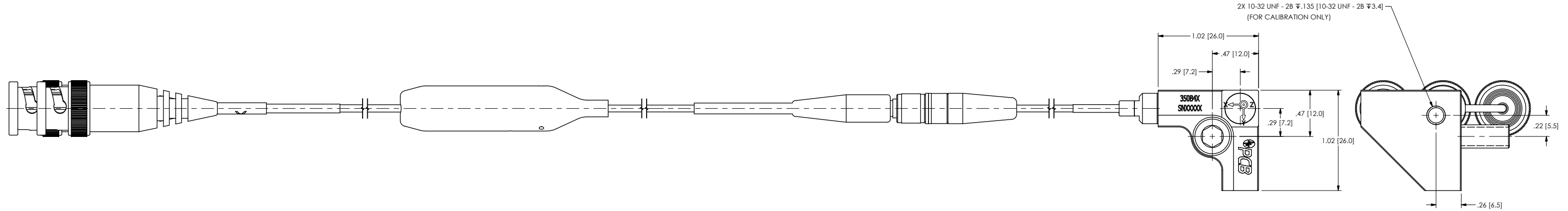


PCB Piezotronics Inc. claims proprietary rights in the information disclosed herein. Neither it nor any reproduction thereof will be disclosed to others without the written consent of PCB Piezotronics Inc.

67761

REVISIONS		
REV	DESCRIPTION	DIN
NR	RELEASED TO DRAFTING	49063



MOUNTING HOLE PREPARATION:
 2X 1/4-28 UNF - 2B \u03a6.56[12.2] MIN

(M) OPTION:
 2X M6 X 1.0 - 6H \u03a6.56[12.2]

- 4 APPLY COUPLING GREASE BETWEEN MOUNTING SURFACES FOR BEST RESULTS(SUPPLIED PER SPECIFICATIONS SHEET)
- 3 RECOMMENDED MOUNTING TORQUE 2-5 FT-LBS [3-7 Nm]
- 2 MOUNTING SURFACE SHOULD BE FLAT TO WITHIN .001[.02] TIR OVER \u22051.6[40.6] WITH A MINIMUM SURFACE FINISH OF 32[.08] FOR BEST RESULTS
- 1 DRILL PERPENDICULAR TO MOUNTING SURFACE TO WITHIN \u00b1 1\u00b0

UNLESS OTHERWISE SPECIFIED TOLERANCES ARE:		DRAWN	CHECKED	ENGINEER	 3425 WALDEN AVE. DEPEW, NY 14043 (716) 684-0001 E-MAIL: sales@pcb.com		
DIMENSIONS IN INCHES	DIMENSIONS IN MILLIMETERS [IN BRACKETS]	JES	S/23/19	JDM		S/23/19	AJA
DECIMALS XX \u00b1.03 XXX \u00b1.010	DECIMALS X \u00b1 0.8 XX \u00b1 0.25	TITLE			CODE	DWG. NO.	
ANGLES \u00b1 2 DEGREES	ANGLES \u00b1 2 DEGREES	OUTLINE DRAWING MODEL 350B4X ACCELEROMETER			52681	67761	
FILLET AND RADIUS .003 - .005	FILLET AND RADIUS 0.075 - 0.13	SCALE: 2.5X			SHEET 1 OF 1		