

2

1

APPLICATION

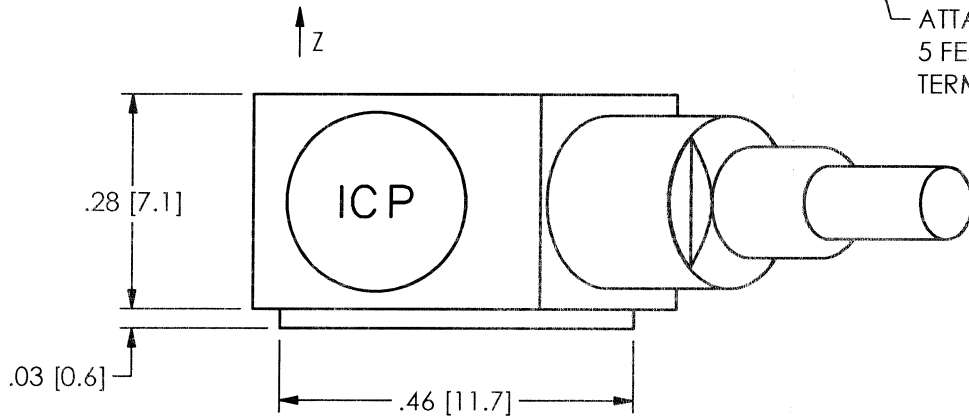
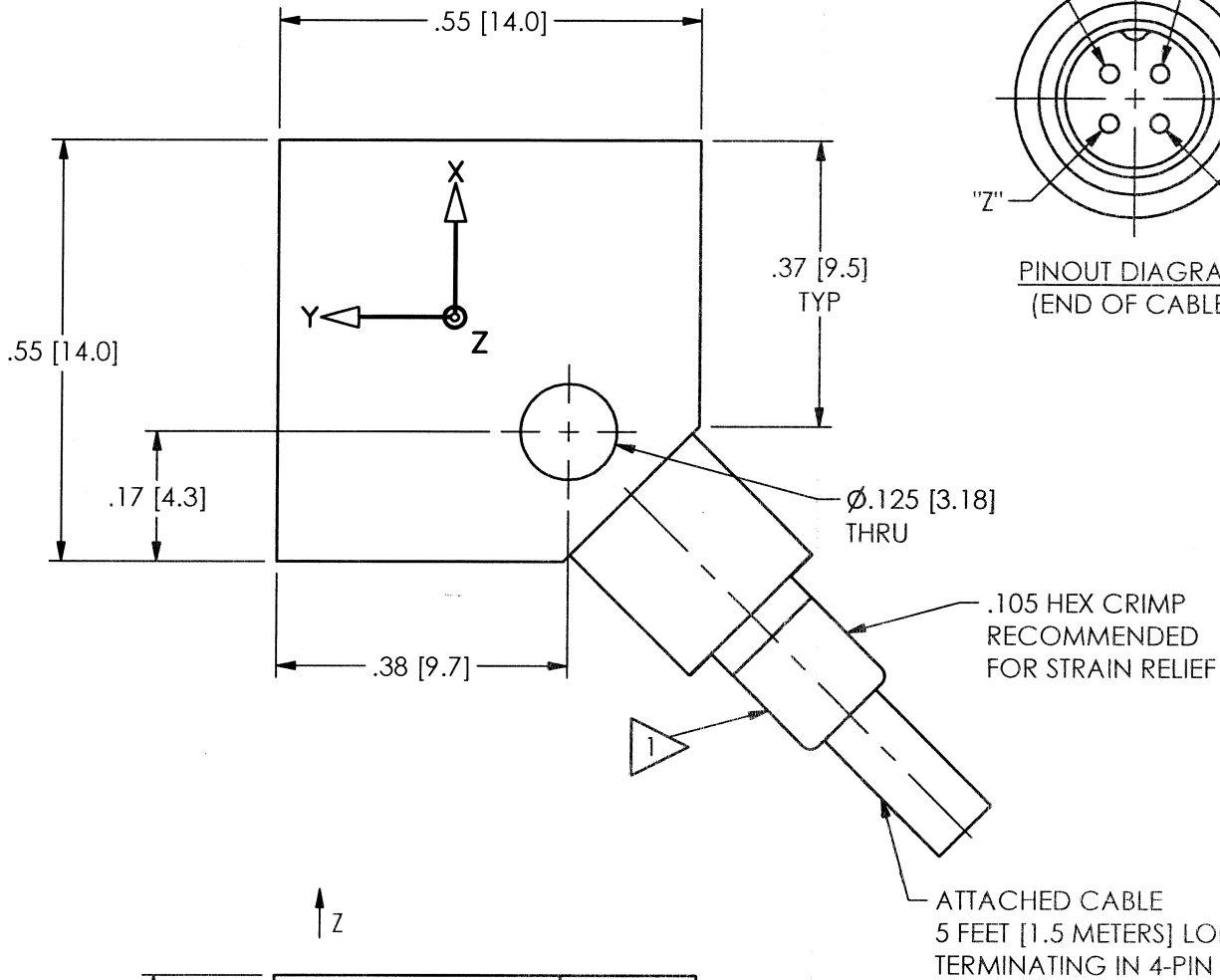
REVISIONS

NEXT ASS'Y	USED ON	VAR

REV	DESCRIPTION	ECN	APP'D
NR	RELEASED TO DRAFTING		ECB 8/30/06

35207

PCB Piezotronics Inc. claims proprietary rights in the information disclosed hereon. Neither it nor any reproduction thereof will be disclosed to others without the written consent of PCB Piezotronics Inc.



1 FOR REPLACEMENT, USE PCB PART NUMBER: 1367-01.

UNLESS OTHERWISE SPECIFIED TOLERANCES ARE:		DRAWN <i>DMZ</i> 8/30/06	MFG <i>DAM</i> 8/30/06	<p>3425 WALDEN AVE. DEPEW, NY 14043 (716) 684-0001 E-MAIL: sales@pcb.com</p>
DIMENSIONS IN INCHES	DIMENSIONS IN MILLIMETERS [IN BRACKETS]	CHK'D <i>ECB</i> 8/30/06	ENGR <i>Walt</i> 8/30/06	
DECIMALS XX ± .03 XXX ± .010	DECIMALS X ± 0.8 XX ± 0.25	APP'D <i>MS</i> 8/30/06	SALES <i>WR</i> 8/30/06	
ANGLES ± 2 DEGREES	ANGLES ± 2 DEGREES	TITLE OUTLINE DRAWING MODEL 354M56 TRIAxIAL ACCELEROMETER		
FILLETs AND RADII .003 - .005	FILLETs AND RADII [0.07 - 0.13]	CODE IDENT. NO. 52681	DWG. NO. 35207	SCALE: 4X
				SHEET 1 OF 1

2

1