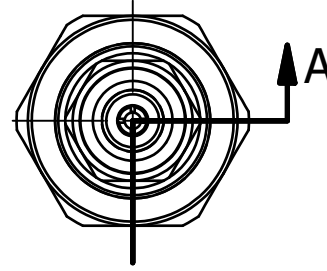


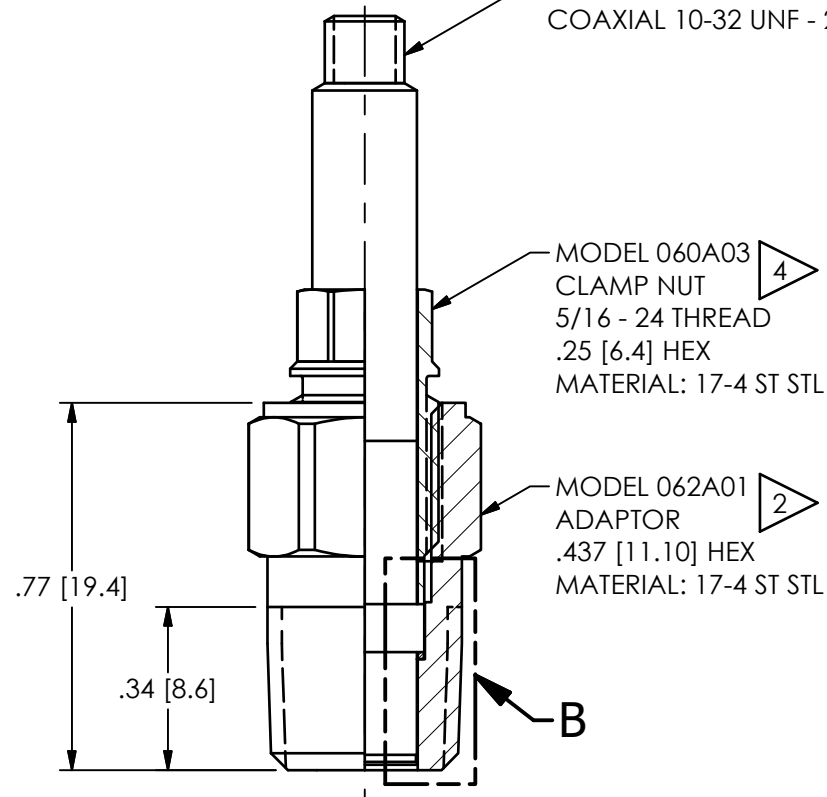
062-1010-90

PCB Piezotronics Inc. claims proprietary rights in the information disclosed hereon. Neither it nor any reproduction thereof will be disclosed to others without the written consent of PCB Piezotronics Inc.

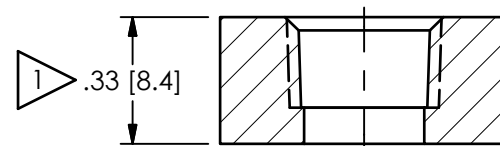
REVISIONS		
REV	DESCRIPTION	DIN
H	ADD PRESSURE LIMIT NOTE	52116



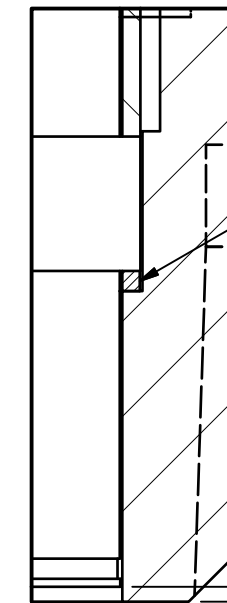
ELECTRICAL CONNECTOR  
COAXIAL 10-32 UNF - 2A



SECTION A-A



MOUNTING HOLE PREPARATION:  
1/8 - 27 NPT



DETAIL B  
SCALE 7X

MODEL 065A02  
SEAL  
MATERIAL: BRASS  
2 REQUIRED FOR  
ABLATIVE APPLICATIONS

1/8 - 27 NPT

FOR FLUSH INSTALLATION  
UP TO .010 [.25] RECESS

FOR ABLATIVE APPLICATIONS  
UP TO .030 [.76] RECESS

5.) PRESSURE LIMIT: EITHER 8,000 PSI, OR SENSOR PRESSURE LIMIT, WHICHEVER IS LESS

4 MOUNTING TORQUE ON 1/4 HEX, 25-35 in-lbs [2.82-3.95Nm]

3 RTV ABLATIVE COATING IS APPLIED TO THE DIAPHRAGM FOR FLASH TEMPERATURE PROTECTION, REPLACE WITH MOMENTIVE RTV106 ADHESIVE SEALANT BLACK VINYL ELECTRICIANS TAPE HAS ALSO BEEN FOUND TO BE AN EFFECTIVE ABLATIVE MATERIAL AS IS DC-4 SILICONE GREASE

2 MOUNTING TORQUE ON .437 [11.1] HEX 5-8 ft-lbs [57-90 Ncm]

1 ABOVE INSTALLATION SHOWN FOR WALL THICKNESS OF .33 [8.4], COUNTERBORE THICKER WALLS  $\varnothing$ .75 [ $\varnothing$ 19.1] TO CLEAR .437 [11.10] HEX AND ALLOW FOR SOCKET WRENCH

UNLESS OTHERWISE SPECIFIED TOLERANCES ARE:		DRAWN		CHECKED		ENGINEER		PCB PIEZOTRONICS™	
DIMENSIONS IN INCHES	DIMENSIONS IN MILLIMETERS [IN BRACKETS]	JJF	9/8/21	JJF	9/8/21	MJP	9/8/21	3425 WALDEN AVE. DEPEW, NY 14043 (716) 684-0001 E-MAIL: sales@pcb.com	
DECIMALS XX ±.01 XXX ±.005	DECIMALS X ±0.3 XX ±0.13	TITLE INSTALLATION DRAWING MODEL 062A01 PIPE THREAD ADAPTOR						CODE IDENT. NO. 52681	DWG. NO. 062-1010-90
ANGLES ± 2 DEGREES	ANGLES ± 2 DEGREES							SCALE: 2.5X	SHEET 1 OF 1
FILLETS AND RADII .003 - .005	FILLETS AND RADII 0.07 - 0.13								