

2

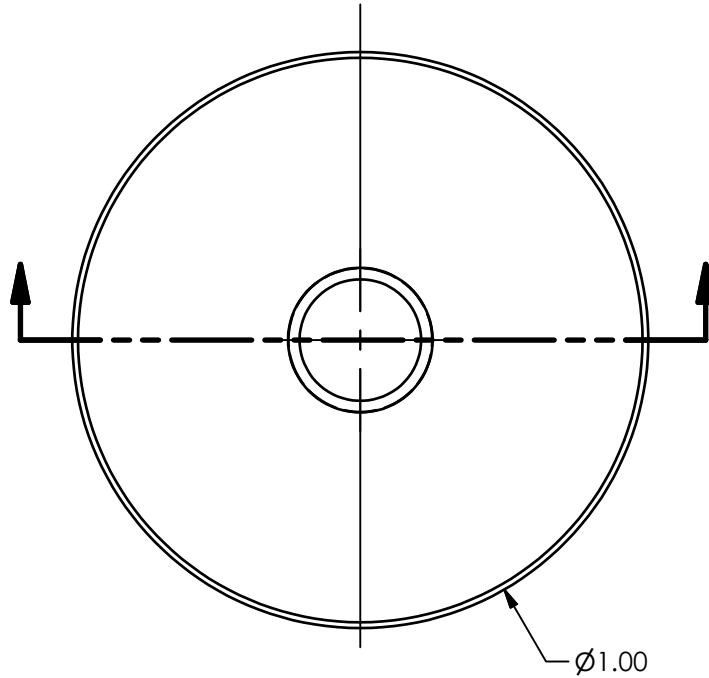
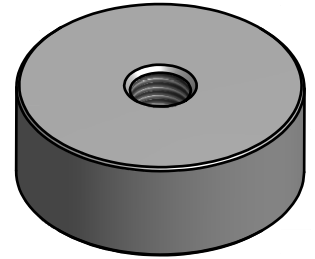
1

PCB Piezotronics Inc. claims proprietary rights in the information disclosed hereon. Neither it nor any reproduction thereof will be disclosed to others without the written consent of PCB Piezotronics Inc.

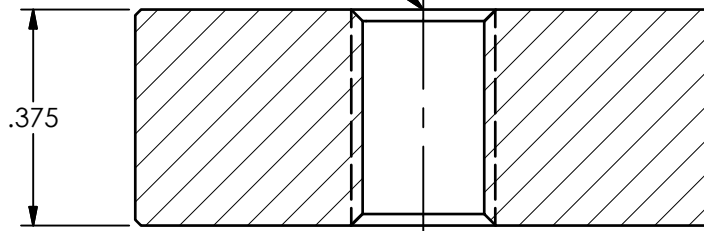
REVISIONS

REV	DESCRIPTION	DIN
NR	RELEASE TO DRAFTING	44976

63510



"A" THRU



M8x1.0 - 6H	080M458
M6x1.0 - 6H	M080A118
1/4-28 UNF - 2B	080A118
"A"	MODEL

UNLESS OTHERWISE SPECIFIED TOLERANCES ARE:

DRAWN		CHECKED		ENGINEER	
BB	1/15/16	ECB	1/15/16	DRK	1/15/16

DIMENSIONS IN INCHES

DIMENSIONS IN MILLIMETERS [ IN BRACKETS ]

DECIMALS XX ±.03  
XXX ±.010

DECIMALS X ± 0.8  
XX ± 0.25

ANGLES ± 2 DEGREES

ANGLES ± 2 DEGREES

FILLETS AND RADII  
.003 - .005

FILLETS AND RADII  
0.07 - 0.13

TITLE  
OUTLINE DRAWING  
MOUNTING PAD



3425 WALDEN AVE. DEPEW, NY 14043  
(716) 684-0001 E-MAIL: sales@pcb.com

CODE IDENT. NO.	DWG. NO.
52681	63510

SCALE: 3X SHEET 1 OF 1

2

1