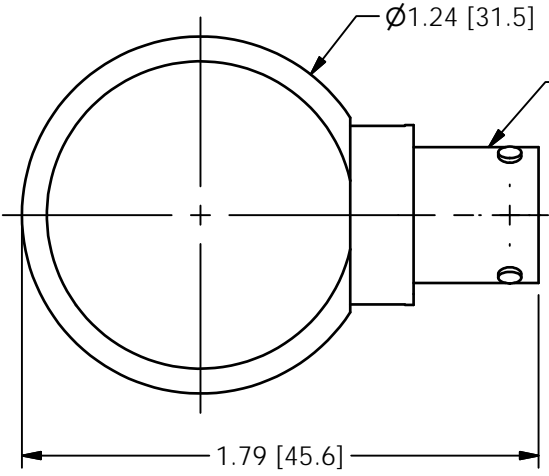


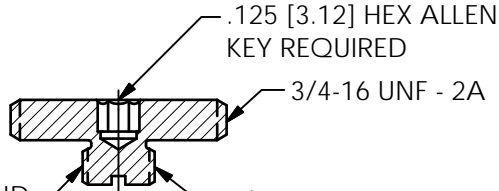
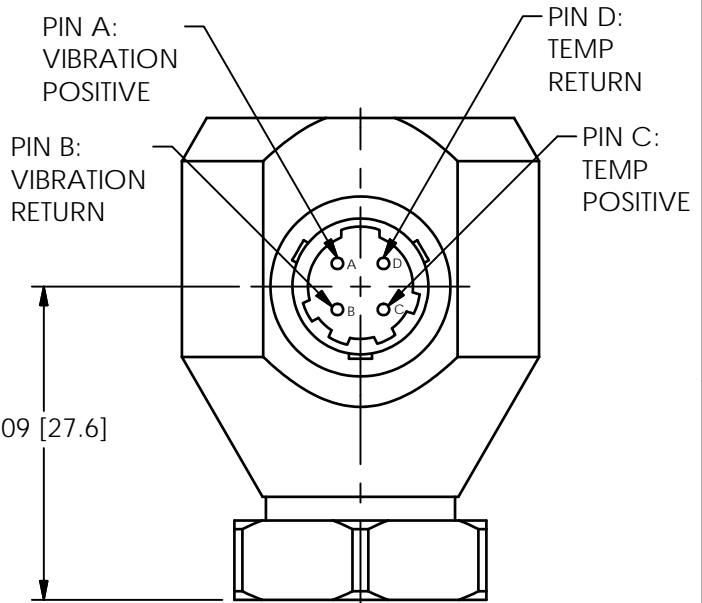
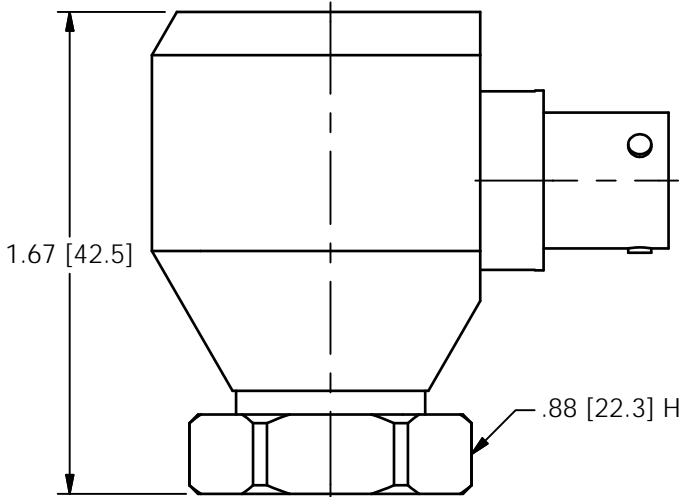
PCB Piezotronics Inc. claims proprietary rights in the information disclosed hereon. Neither it nor any reproduction thereof will be disclosed to others without the written consent of PCB Piezotronics Inc.

REVISIONS		
REV	DESCRIPTION	DIN
B	UPDATED KEYWAY LOCATION	46809

26970



ELECTRICAL CONNECTOR
5/8-24 UNEF-2A
4-PIN BAYONET
(MIL-C-24682)



1 MOUNTING STUD
MODEL 080A162
(SUPPLIED)
1/4-28 UNF - 2A

1 FOR METRIC TRANSMITTER (MT0642A3X, MT0643A3X, MT0647A3X, MT06483X), MOUNTING STUD MODEL M080A163A REPLACES 080A162, 3mm HEX ALLEN KEY REQUIRED.

UNLESS OTHERWISE SPECIFIED TOLERANCES ARE:		DRAWN		CHECKED		ENGINEER		 3425 WALDEN AVE. DEPEW, NY 14043 (716) 684-0001 E-MAIL: sales@pcb.com	
DIMENSIONS IN INCHES	DIMENSIONS IN MILLIMETERS [IN BRACKETS]	JDM	5/18/17	JDM	5/18/17	JDB	5/18/17		
DECIMALS XX ±.03 XXX ±.010	DECIMALS X ± 0.8 XX ± 0.25	TITLE OUTLINE DRAWING MODEL T0642A3X, M, T064YSA3X, M T0647A3X, M, T0648A3X, M 4-20 VIBRATION SENSING TRANSMITTER WITH TEMPERATURE							
ANGLES ± 2 DEGREES	ANGLES ± 2 DEGREES								
FILLETS AND RADII .003 - .005	FILLETS AND RADII 0.07 - 0.13	CODE IDENT. NO. 52681		DWG. NO. 26970		SCALE: 1.5X		SHEET 1 OF 1	