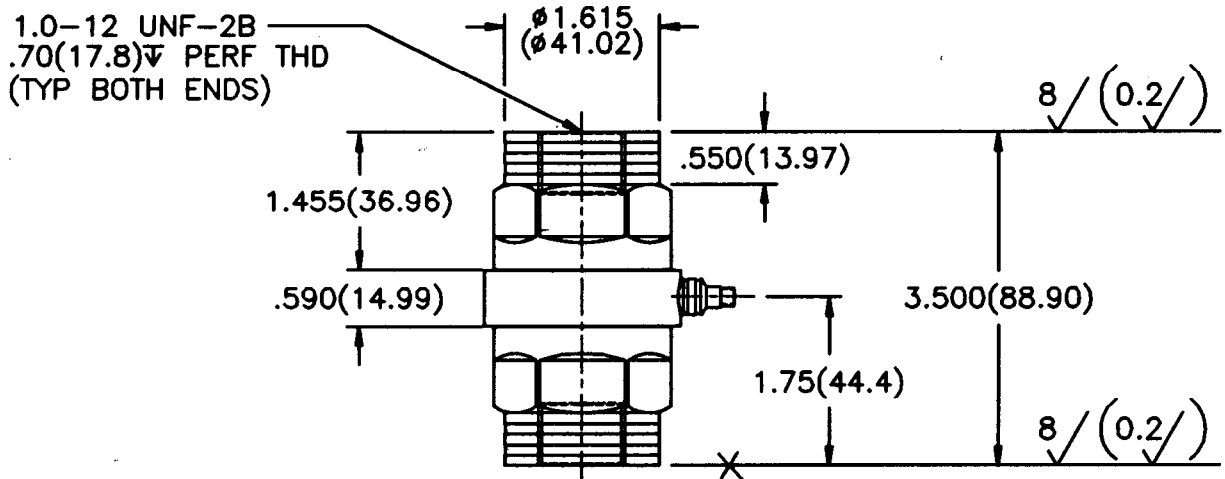
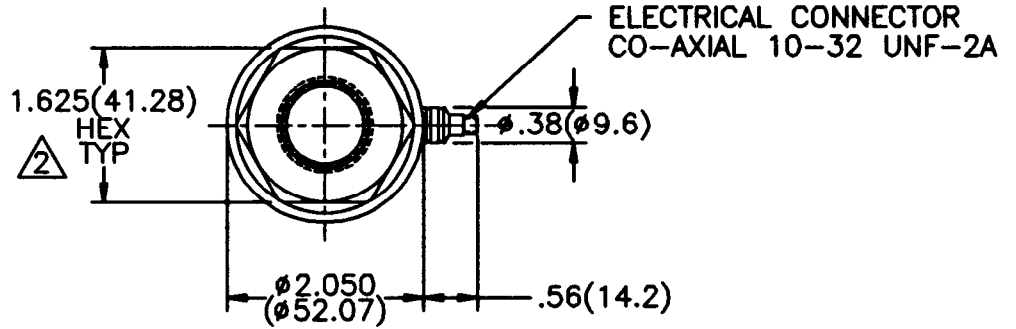


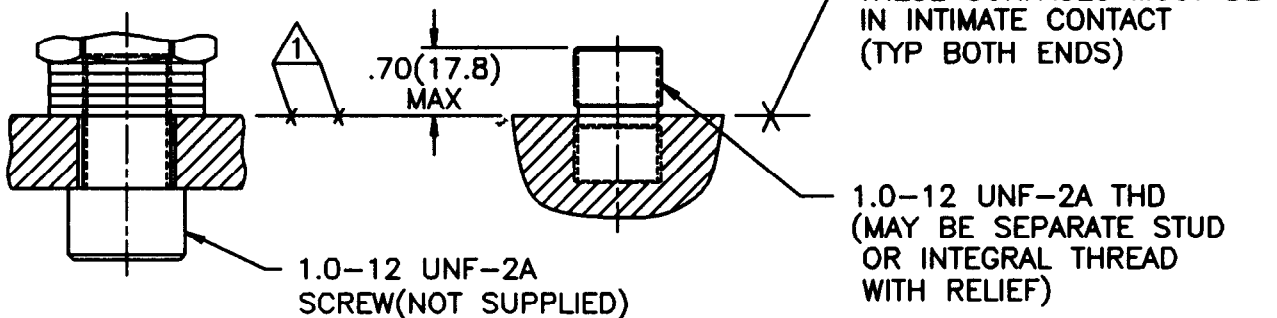
1643

APPLICATION		
NEXT ASSY	USED ON	VAR

REVISIONS				
REV	DESCRIPTION	ECN	DATE	APP'D



ALTERNATE MOUNTING



- 4.) COMPRESSIVE FORCE RESULTS IN NEGATIVE GOING OUTPUT CHARGE.
- 3.) EPOXY OR LOCTITE MAY BE USED ON THREADS TO LOCK FORCE LINK IN PLACE.
- 2. RECOMMENDED MOUNTING TORQUE ON 1.625(41.28) HEX 45-50 FOOT POUNDS (61-68 NEWTON METERS).
- 1. MOUNTING SURFACES MUST BE FLAT TO WITHIN .001(0.03) TIR WITH A MIN $63 \sqrt{(1.6)} \text{ FIN.}$

UNLESS SPECIFIED TOLERANCES		DRAWN <i>car</i> 9/12/94 MFG <i>...</i> 9/1/94 CHK'D <i>dm</i> 9/17/94 ENGR <i>...</i> 9-7-94 APP'D <i>HS</i> 9/18/94 <i>Siles</i> <i>SGC</i> 9/1/94 TITLE INSTALLATION DRAWING MODEL 236B HERMETIC SEALED FORCE LINK	PCB PIEZOTRONICS, INC. 3425 WALDEN AVE. DEPEW, NEW YORK 14043 PHONE: (716) 884-0001 CODE 52681 DWG. NO. 1643
DIMENSIONS IN INCHES DECIMALS XX ±.01 XXX ±.005 ANGLES ±2 DEGREES FILLETS AND RADII .003 - .005 (0.07 - 0.13)	DIMENSIONS IN MILLIMETERS (IN PARENTHESES) DECIMALS X ±0.3 XX ±0.13 ANGLES ±2 DEGREES	SCALE: .5X	SHEET 1 OF 1