

1633

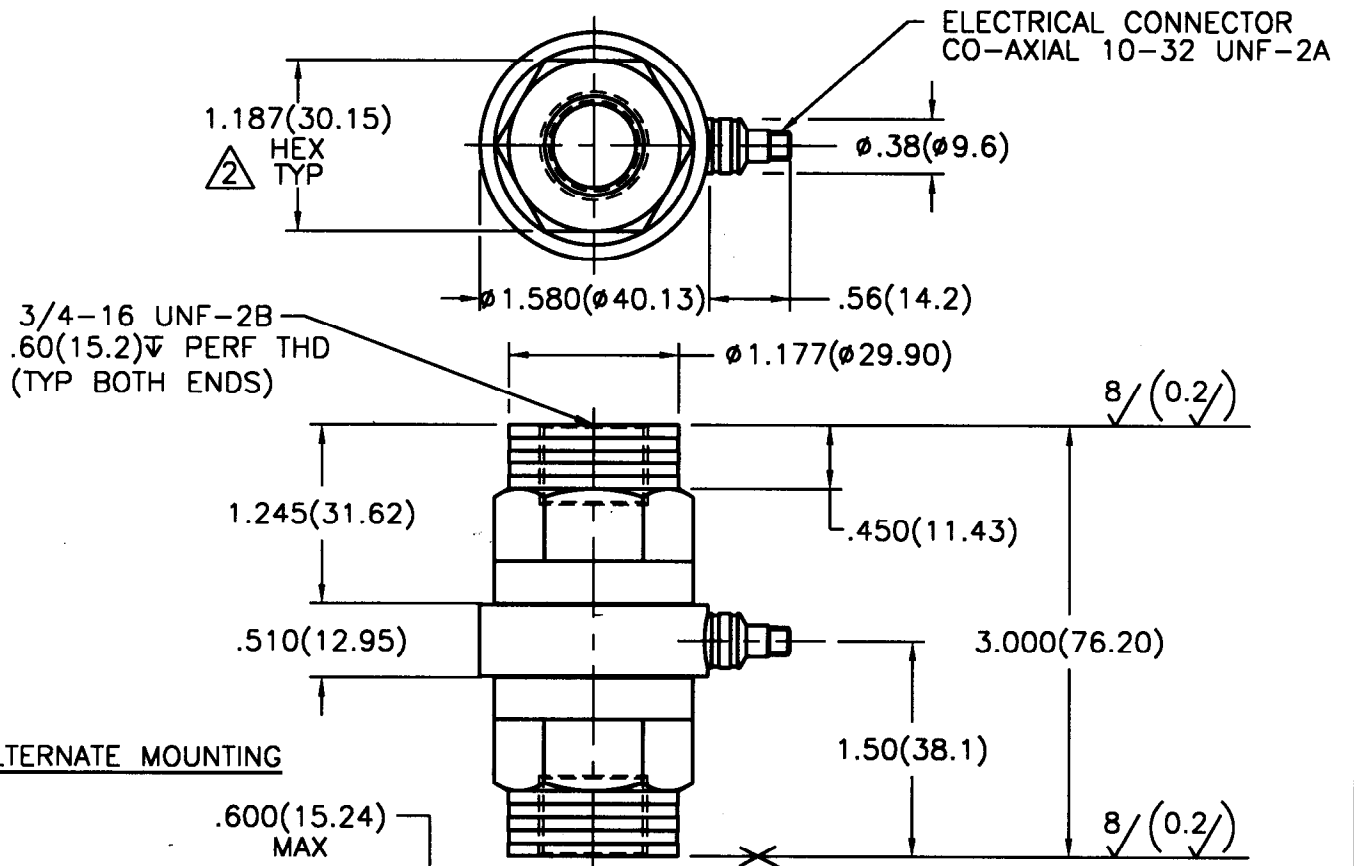
PCB Piezotronics Inc. claims proprietary rights in the information disclosed hereon. Neither it nor any reproduction thereof will be disclosed to others without written consent of PCB Piezotronics Inc.

APPLICATION

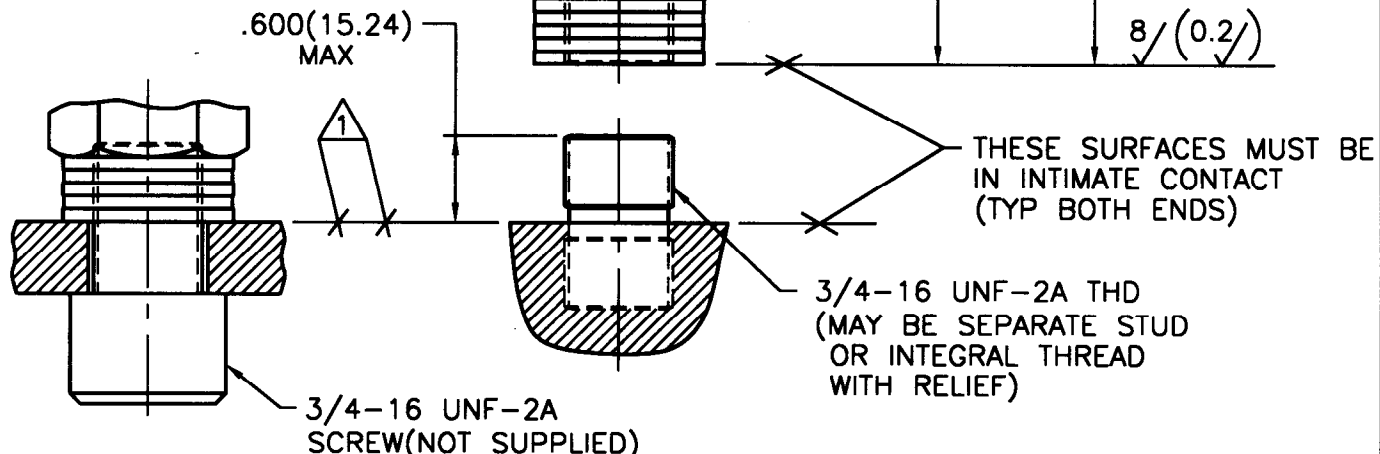
NEXT ASS'Y	USED ON	VAR

REVISIONS

REV	DESCRIPTION	ECN	DATE	APP'D
A	REVISED PER ECN	6334	1/2/96	dm/1/96



ALTERNATE MOUNTING



- 4.) COMPRESSIVE FORCE RESULTS IN NEGATIVE GOING OUTPUT CHARGE.
- 3.) EPOXY OR LOCTITE MAY BE USED ON THREADS TO LOCK FORCE LINK IN PLACE.
- ⚠️ RECOMMENDED MOUNTING TORQUE ON 1.187(30.15) HEX 15-30 FOOT POUNDS (20-41 NEWTON METERS).
- ⚠️ MOUNTING SURFACES MUST BE FLAT TO WITHIN .001(0.03) TIR WITH A MIN $63\sqrt{1.6}$ FIN.

UNLESS SPECIFIED TOLERANCES		DRAWN	αgB	1/3/96	MFG	JM	1/4/96	PCB PIEZOTRONICS, INC. 3425 WALDEN AVE. DEPEW, NEW YORK 14043 PHONE: (716) 684-0001
DIMENSIONS IN INCHES	DIMENSIONS IN MILLIMETERS (IN PARENTHESIS)	CHK'D	dm	1/4/96	ENGR	P.N.	1/4/96	
DECIMALS XX ±.01	DECIMALS XX ±0.3	APP'D	R.J.	1/4/96				
XXX ±.005	XXX ±0.13	TITLE	INSTALLATION DRAWING					
ANGLES ±2 DEGREES	ANGLES ±2 DEGREES	MODEL 235B					IDENT. NO.	1633
FILLETS AND RADII .003 - .005	FILLETS AND RADII (0.07 - 0.13)	HERMETIC SEALED FORCE LINK					SCALE:	.75X
DDO11 REV. A 05/26/95							SHEET	1 OF 1