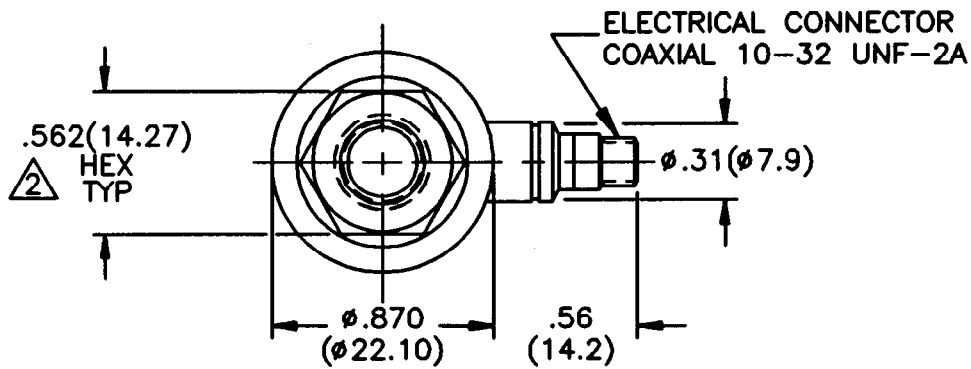


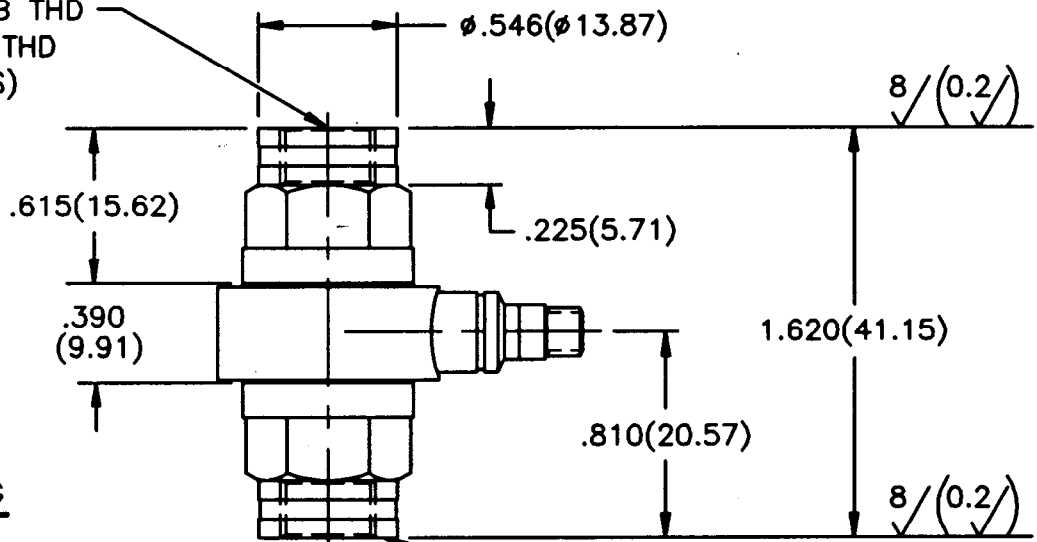
1533

APPLICATION		
NEXT ASS'Y	USED ON	VAR

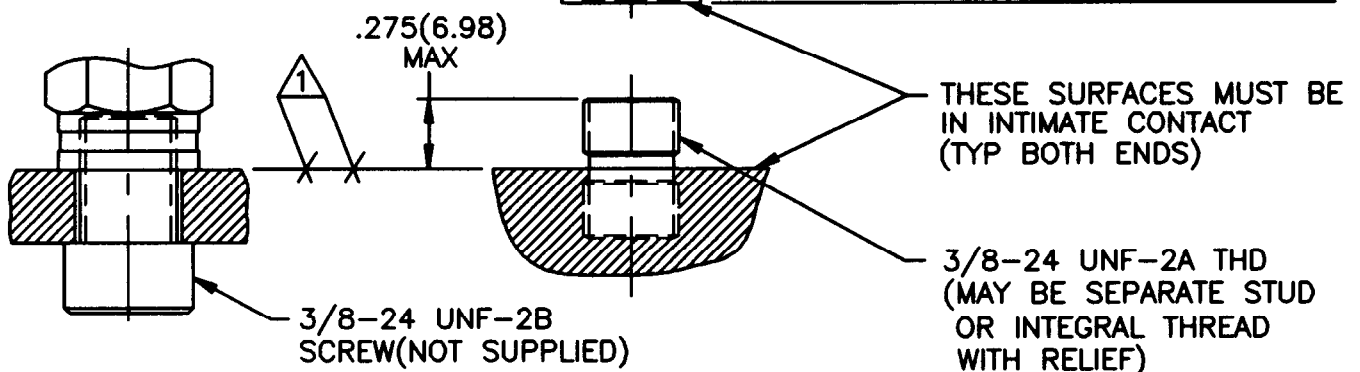
REVISIONS				
REV	DESCRIPTION	ECN	DATE	APP'D



3/8-24 UNF-2B THD
.30(7.6) PERF THD
(TYP BOTH ENDS)



ALTERNATE MOUNTING



- 4.) COMPRESSIVE FORCE RESULTS IN NEGATIVE GOING OUTPUT CHARGE.
- 3.) EPOXY OR LOCTITE MAY BE USED ON THREADS TO LOCK FORCE LINK IN PLACE.
- ⊠ RECOMMENDED MOUNTING TORQUE ON .562(14.27) HEX, 5-10 FOOT POUNDS (7-14 NEWTON METERS).
- ⊠ MOUNTING SURFACE MUST BE FLAT TO WITHIN .001(0.03) TIR WITH A MIN 63√(1.6√).

UNLESS SPECIFIED TOLERANCES		DRAWN	WAB	9/2/94	MFG	D.L.	9/7/94	PCB PIEZOTRONICS, INC. 3425 WALDEN AVE. DEPEW, NEW YORK 14043 PHONE: (716) 884-0001	
DIMENSIONS IN INCHES	DIMENSIONS IN MILLIMETERS (IN PARENTHESIS)	CHK'D	DM	9/7/94	ENGR	9-7-94	CODE		
DECIMALS XX ±.01 XXX ±.005	DECIMALS X ±0.3 XX ±0.13	APP'D	HS	9/8/94	Siles	9/7/94	DWG. NO.		
ANGLES ±2 DEGREES	ANGLES ±2 DEGREES	TITLE	INSTALLATION DRAWING MODEL 232B HERMETIC SEALED FORCE LINK				52681		1533
FILLETS AND RADI .003 - .005 (0.07 - 0.13)		SCALE: 1.33=1						SHEET 1 OF 1	