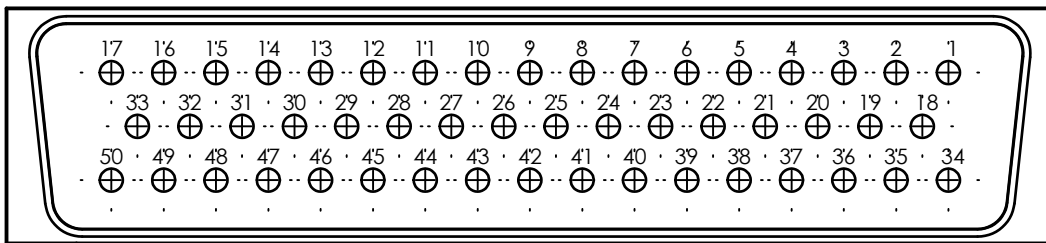


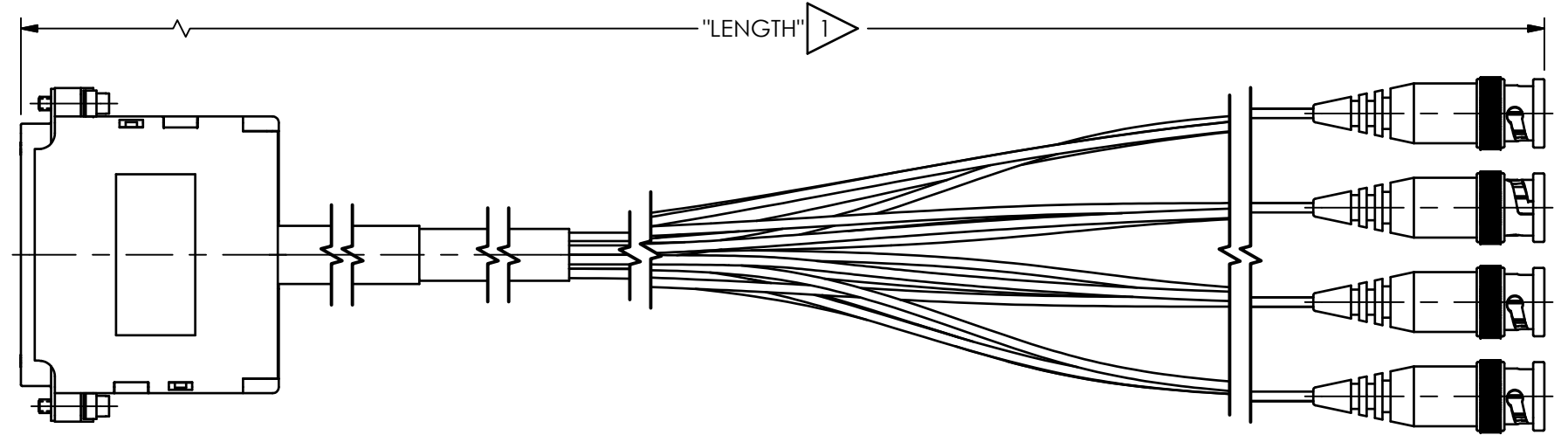
PCB Piezotronics Inc. claims proprietary rights in the information disclosed hereon. Neither it nor any reproduction thereof will be disclosed to others without the written consent of PCB Piezotronics Inc.

77635

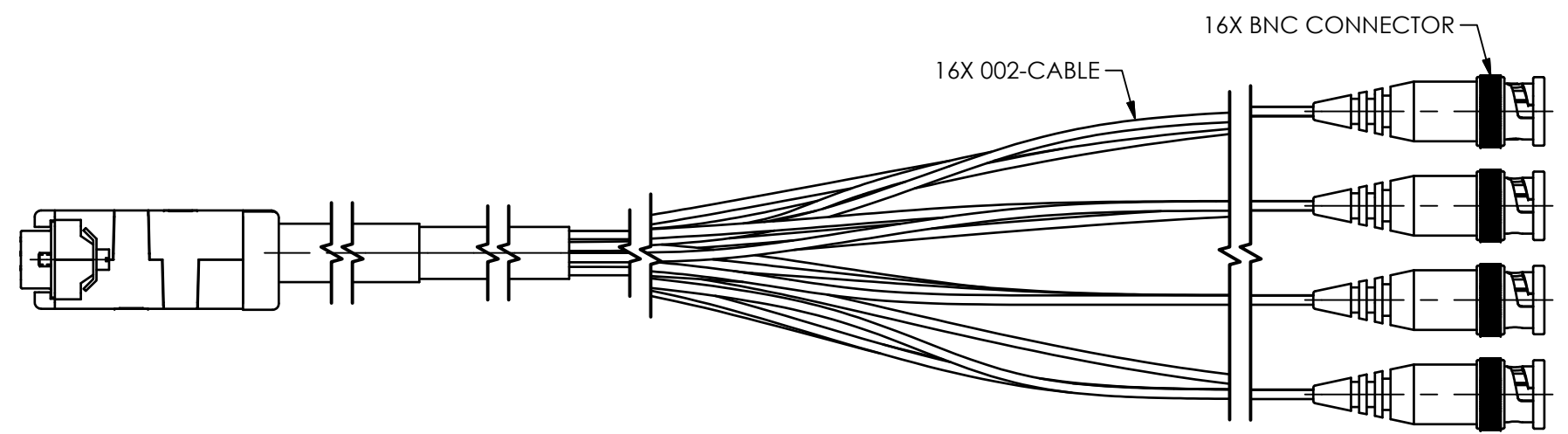
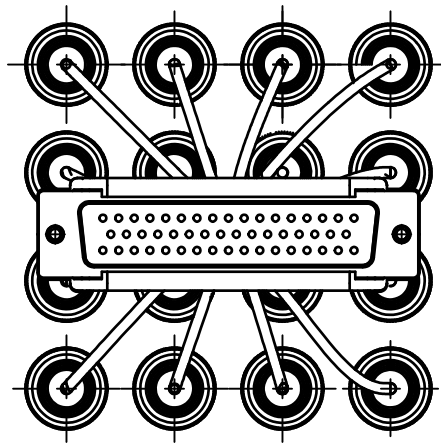
REVISIONS		
REV	DESCRIPTION	DIN
NR	RELEASED TO DRAFTING	53755



PINOUT VIEW
SCALE 2.5X



CHANNEL NUMBER	SIGNAL NUMBER	CHASSIS GROUND
1	1	18, 34
2	35	2, 19
3	3	20, 36
4	37	4, 21
5	5	22, 38
6	39	6, 23
7	7	24, 40
8	41	8, 25
9	26	10, 43
10	11	27, 44
11	28	12, 45
12	13	29, 46
13	30	14, 47
14	15	31, 48
15	32	16, 49
16	17	33, 50



1 LENGTH MAY VARY IN FEET OR METERS DEPENDING ON THE MODEL

UNLESS OTHERWISE SPECIFIED TOLERANCES ARE:		DRAWN		CHECKED		ENGINEER		PCB PIEZOTRONICS AN AMPHENOL COMPANY 3425 WALDEN AVE. DEPEW, NY 14043 (716) 684-0001 E-MAIL: sales@pcb.com		
DIMENSIONS IN INCHES DECIMALS XX ±.03 XXX ±.010 ANGLES ± 2 DEGREES		DIMENSIONS IN MILLIMETERS [IN BRACKETS] DECIMALS X ± 0.8 XX ± 0.25 ANGLES ± 2 DEGREES		NJF	04/25/23	JDM	04/25/23		HWK	04/25/23
CABLE TOLERANCES IN ENGLISH 1' ≤ LENGTH < 1' = +1" / - 0 1' ≤ LENGTH < 5' = +2" / - 0 5' ≤ LENGTH < 100' = +6" / - 0 100' ≤ LENGTH = +1' / - 0		CABLE TOLERANCES IN METRIC 2.54cm ≤ LENGTH < 30.5cm = +2.54cm / - 0 30.5cm ≤ LENGTH < 1.5m = +5.1cm / - 0 1.5m ≤ LENGTH < 30.5m = +15.2cm / - 0 30.5m ≤ LENGTH = +30.5cm / - 0		TITLE						CODE IDENT. NO. 52681
FILLETS AND RADII .003 - .005		FILLETS AND RADII 0.07 - 0.13		OUTLINE DRAWING 009VXX SERIES						DWG. NO. 77635
				SCALE: .75X		SHEET 1 OF 1				