




# Swiveler<sup>®</sup> ICP<sup>®</sup> Industrial Accelerometer

Conveniently Installs into Tight Places

- Unique 360° Swivel Mount
- Small Size (9/16 inch hex. Footprint, Low Profile)
- Lower Cost Alternative to Through Bolt Sensors
- Easy Cable Orientation
- Electronically Suppressed Resonance
- Prevents High Frequency Saturation Problems
- Intrinsically Safe Options   



Installing vibration sensors into tight spots is quick and easy with Model 607A11 Swiveler<sup>®</sup> ICP<sup>®</sup> Industrial Accelerometer. The unique design facilitates positioning of the integral, side-exit cable while the floating lock nut secures the sensor into place.

A low-cost, smaller-sized alternative to ring-style accelerometers, Swiveler<sup>®</sup> has definite advantages over other industrial grade vibration sensors. Offering a small footprint (only 9/16 inch) and 360° cable rotation, the Swiveler<sup>®</sup> is excellent for permanent installations in space-restricted locations. The unit's laser-welded, hermetically-sealed design and stainless steel construction permits its use in dirty, oily, industrial, and submerged applications. With a sensitivity of 100 mV/g and frequency range to 600k cpm (10k Hz), Model 607A11 is ideal for route-based or on-line monitoring of rotating machinery.



(US Patent No. 6,435,902)

 **IMI SENSORS**  
A PCB PIEZOTRONICS DIV.

*Total Customer Satisfaction Guaranteed*



# Specifications

Model		607A11	
<b>Dynamic Performance</b>		English	SI
Sensitivity ( $\pm 15\%$ )	100 mV/g	10.2 mV/(m/s <sup>2</sup> )	
Measurement Range	$\pm 50$ g	$\pm 490$ m/s <sup>2</sup>	
Frequency Range ( $\pm 3$ dB)	30 to 600k cpm	0.5 to 10k Hz	
Resonant Frequency	1500k cpm	25k Hz	
Broadband Resolution (1 to 10k Hz)	350 $\mu$ g	3434 $\mu$ m/s <sup>2</sup>	
Non-linearity	$\pm 1\%$		
Transverse Sensitivity	$\leq 7\%$		
<b>Environmental</b>			
Overload Limit (Shock)	5000 g pk	49,050 m/s <sup>2</sup> pk	
Temperature Range	-65 to +250 °F	-54 to +121 °C	
<b>Electrical</b>			
Settling Time (within 1% of bias)	$\leq 2.0$ sec		
Discharge Time Constant	0.3 sec		
Excitation Voltage	18 to 28 VDC		
Constant Current Excitation	2-20 mA		
Output Impedance	$< 150$ ohm		
Output Bias Voltage	8 to 12 VDC		
Electrical Isolation (Case)	$> 10^8$ ohm		
<b>Physical</b>			
Size (Hex x Height)	9/16 x 0.97 in	9/16 in x 24.6 mm	
Weight (without cable) <sup>(1)</sup>	1.1 oz	31 gm	
Mounting	Stud		
Mounting Thread	1/4-28 Male		
Mounting Torque (stud)	7 to 8 ft-lb	9.5 to 10.8 N-m	
Mounting Torque (hex nut)	2 to 5 ft-lb	2.7 to 6.8 N-m	
Sensing Element	Ceramic Shear		
Housing Material	Stainless Steel		
Sealing	Welded Hermetic		
Electrical Connector	Molded Integral Cable		
Electrical Connection Position	Side		
Cable Length	10 ft	3.0 m	
Cable Type	Polyurethane (Model 042)		
<b>Optional Versions</b>			
Intrinsically Safe	EX		
Metric Installation	M		
Temperature Output	TO		
<b>Supplied Accessories</b>			
Mounting Hardware	Model 080A156 Mounting Stud		
Metric Mounting Hardware	Model M080A159 Mounting Stud		

**Notes:**  
1. Weight includes 10 ft (3 m) integral cable and mounting stud.

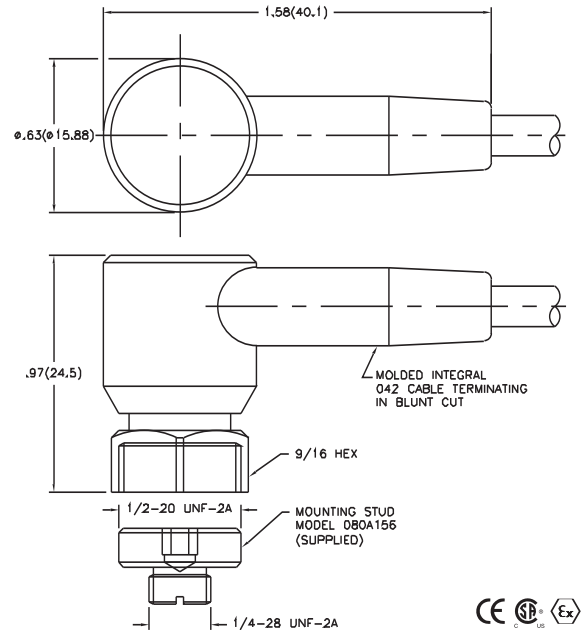
**Supplied Accessories:**  
Model 080A156 Mounting Stud  
Single point NIST traceable calibration at 100 Hz



3425 Walden Avenue, Depew, NY 14043-2495 USA  
**IMI Sensors Division toll free 800-959-4464**  
**24-hour SensorLine<sup>SM</sup> 716-684-0003**  
**Fax 716-684-3823 E-mail imi@pcb.com**  
**Web site www.imi-sensors.com**

ISO 9001:2000 CERTIFIED      A2LA ACCREDITED to ISO 17025

© 2007 PCB Group, Inc. In the interest of constant product improvement, specifications are subject to change without notice.  
 PCB, IMI with associated logo, ICP, Swiveler, and Spindler are registered trademarks of PCB Group, Inc.  
 SensorLine is a service mark of PCB Group, Inc. All other trademarks are properties of their respective owners.



### Available Versions

- Model 607A01** — 2-pin MIL version
- Model 607A11** — Standard 10 ft (3 m) integral cable
- Model 607A11/020BZ** — 20 ft (6 m) integral cable
- Model 607A11/030BZ** — 30 ft (9 m) integral cable
- Model M607A11** — Supplied with Model 080A159 metric mounting stud (with M6 x 1.0 installation thread) (US Patent No. 6,435,902)

The IMI Sensors Division of PCB® Piezotronics, Inc. specializes in the development, application, and support of industrial vibration sensors, transmitters, meters, and accessories for machinery condition monitoring and predictive maintenance requirements. This product focus, coupled with the strengths and resources of PCB®, permits IMI Sensors to offer exceptional customer service, 24-hour technical assistance, and a **Total Customer Satisfaction** guarantee.

Visit [www.imi-sensors.com](http://www.imi-sensors.com) to locate your nearest sales office