

PCB Piezotronics Inc. claims proprietary rights in the information disclosed hereon. Neither it nor any reproduction thereof will be disclosed to others without the written consent of PCB Piezotronics Inc.

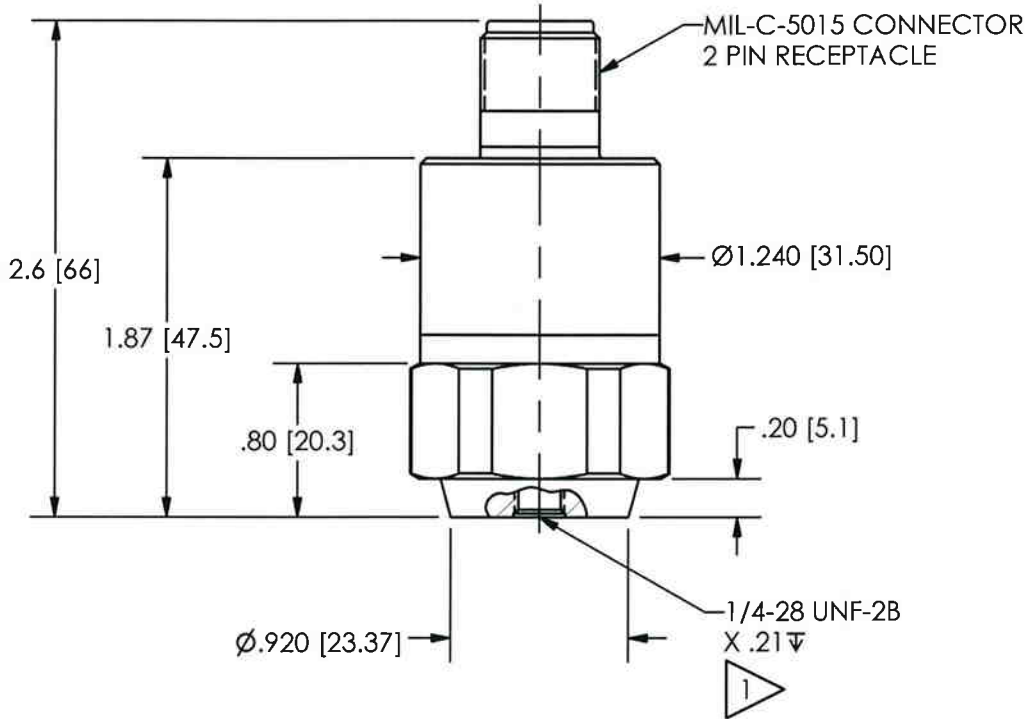
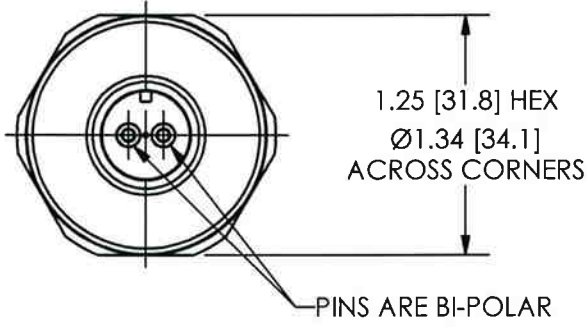
REVISIONS

| REV | DESCRIPTION | ECN | APP'D |
|-----|----------------------|-----|----------|
| NR | RELEASED TO DRAFTING | | EOB 5/08 |

40290

Related Drawing

No modifications permitted without the approval of the authorized person



1 MODEL 081A40 MOUNTING STUD SUPPLIED AS STANDARD. FOR M PREFIX MODELS (M649A01) MODEL M081A61 (M6 X 1.0 TO 1/4-28) MOUNTING STUD REPLACES 081A40.

UNLESS OTHERWISE SPECIFIED TOLERANCES ARE:

| DIMENSIONS IN INCHES | DIMENSIONS IN MILLIMETERS [IN BRACKETS] |
|---|---|
| DECIMALS XX ± .03 XXX ± .010 ANGLES ± 2 DEGREES | DECIMALS X ± 0.8 XX ± 0.25 ANGLES ± 2 DEGREES |
| FILLETS AND RADII .003 - .005 | FILLETS AND RADII [0.07 - 0.13] |

| | | | | | |
|-------|------|---------|-------|-------|---------|
| DRAWN | EOB | 5/29/08 | MFG | JS | 5/30/09 |
| CHK'D | EOB | 5/29/08 | ENGR | D.ORT | 5/30/08 |
| APP'D | N.F. | 5/26/08 | SALES | | |

TITLE
 OUTLINE DRAWING
 MODEL EX649A01
 RECIPROCATING MACHINERY
 PROTECTOR

PCB PIEZOTRONICS
 3425 WALDEN AVE. DEPEW, NY 14043
 (716) 684-0001 E-MAIL: sales@pcb.com

CODE IDENT. NO. 52681
 DWG. NO. 40290
 SCALE: FULL SHEET 1 OF 1